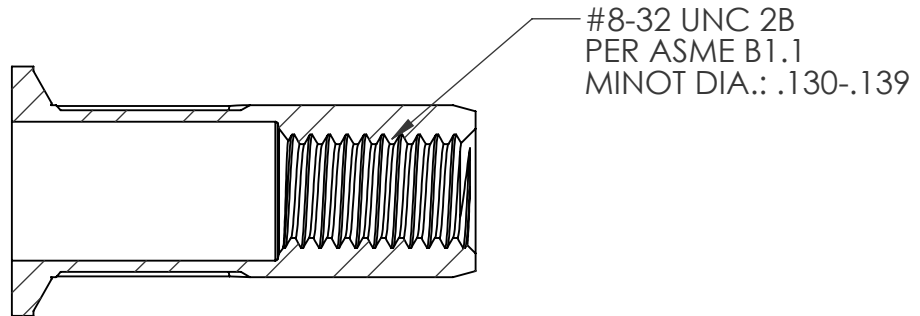
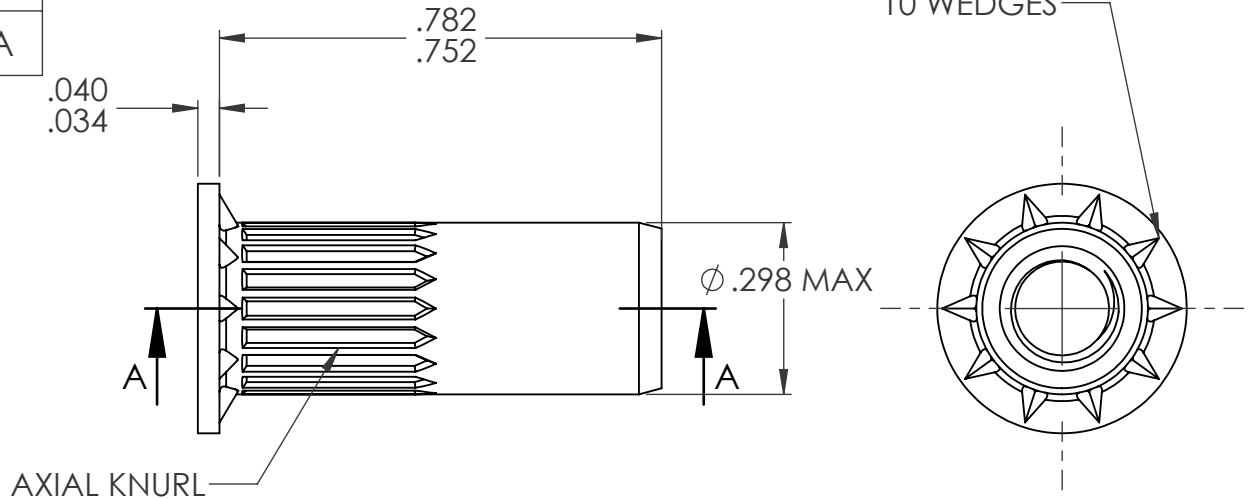
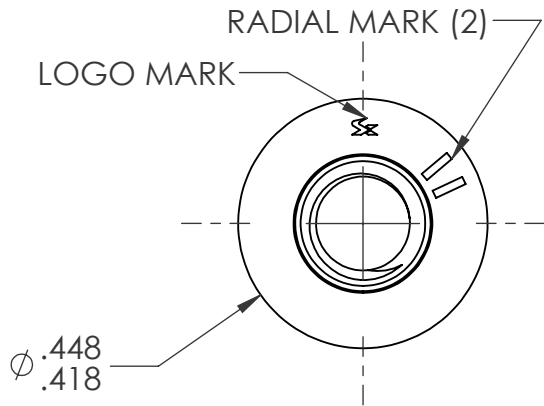



REVISIONS				
REV.	DESCRIPTION	DATE	ECN	INITIALS
A	INITIAL RELEASE	10/7/2020	3692	TDJ
B	UPDATE BODY DIAMETER	09/07/22	4105	MRA



SECTION A-A

NOTE:

- GRIP RANGE: .217-.315
- HOLE SIZE: .300 +.006/-0.000 AFTER ALL APPLIED FINISHES.
- INSTALLED LENGTH: .413 MAX.
- LUBRICATION: NONE
- INSTALLATION TOOL: SPIN PULL

CUSTOMER APPROVAL:				UNLESS OTHERWISE SPECIFIED:				NAME		DATE					
DATE:				DIMENSIONS ARE IN INCHES TOLERANCES: ANGULAR: MACH ±1 BEND ±1 TWO PLACE DECIMAL ±.01 THREE PLACE DECIMAL ±.005		DRAWN		TDJ		10/7/2020				TITLE: <b>#8-32 OPEN END LARGE FLANGE OPTISERT</b>	
				INTERPRET GEOMETRIC TOLERANCING PER: ASME Y14.5M-1994		CHECKED		CL		10/7/2020					
				MATERIAL C1008/C1010		ENG APPR.		JVK		10/7/2020		REV <b>B</b>			
		NEXT ASSY		USED ON		FINISH ZINC PLATE CLEAR TRIVALENT CHROMATE PER SFS-01-001; SC1		MFG APPR.						SCALE: 3:1 WEIGHT:	
		APPLICATION		DO NOT SCALE DRAWING		COMMENTS: E-mail: info@sherex.com www.sherex.com Phone: 866-474-3739 Fax: 716-875-0358		Q.A.							