

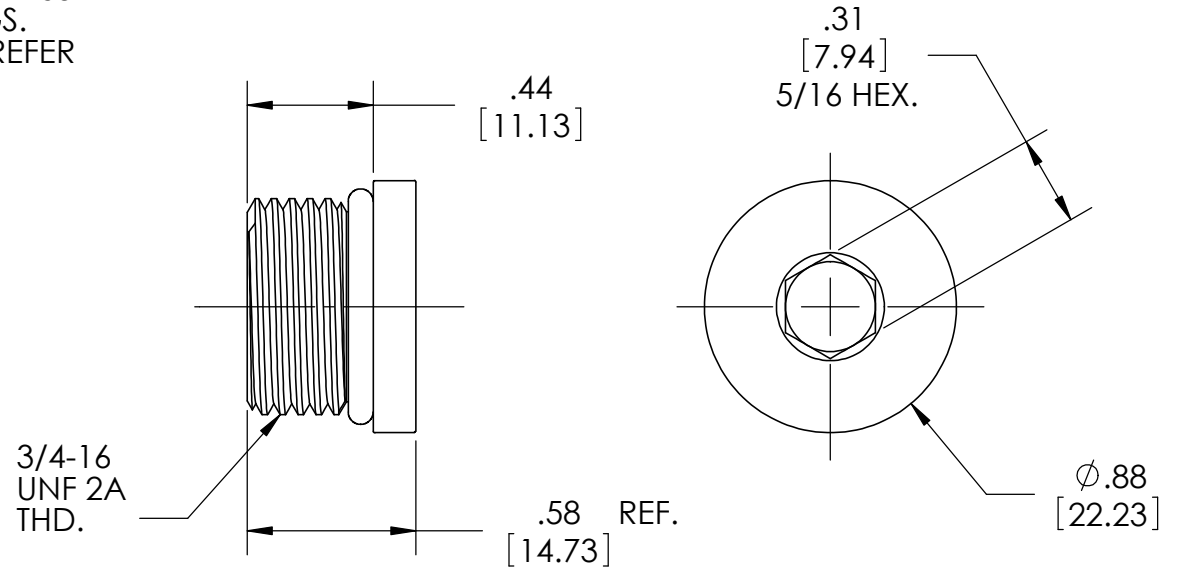
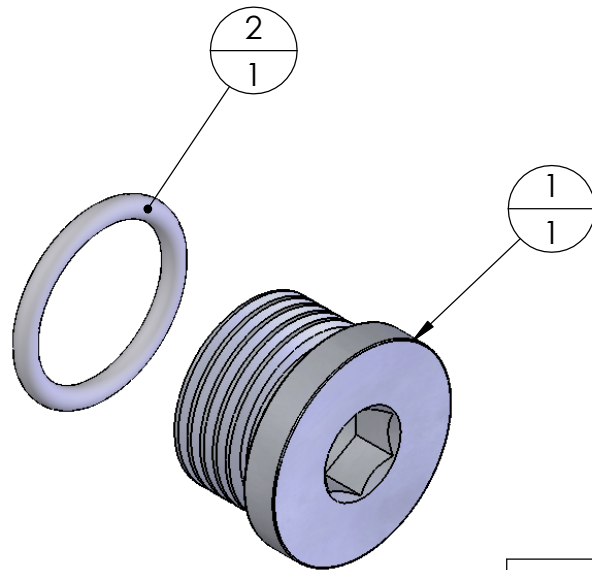
ITEM NO.	PART NUMBER	DESCRIPTION	QTY.
1	S08-HS-1-R	PLUG, J514 SAE-08, HEX SLOT	1
2	B08A	O-RING, -908, BUNA N - 90	1

REVISIONS				
ZONE	REV.	DESCRIPTION	DATE	APPROVED
	A	RELEASED FOR PRODUCTION	BHS 02/01/07	KS ECN 1003

**UNCONTROLLED COPY**

**NOTES:**

- MATERIALS:**  
 PLUG: AISI 1008/1010/12L14, ZINC PLATE CLEAR TRIVALENT CHROME, Fe/Zn 8, TYPE III PER ASTM B633.  
 O-RING: BUNA N - 90.
- THIS ASSEMBLY IS IN CONFORMANCE TO THE SAE J514 STANDARD SPECIFICATIONS FOR O-RING PLUGS.
- FOR THE RECOMMENDED PORT DIMENSIONS, REFER TO SAE J1926.
- NOMINAL TUBE OD: 1/2"



**PROPRIETARY AND CONFIDENTIAL**  
 THIS DRAWING, AND THE INFORMATION CONTAINED HEREIN, ARE THE PROPERTY OF SHEREX AND ARE NOT TO BE USED IN ANY MANNER DETRIMENTAL TO THE INTEREST OF THE COMPANY.  
 SHEREX RESERVES THE RIGHT TO REVISE PART/DRAWING WITHOUT NOTICE.

UNLESS OTHERWISE SPECIFIED:		NAME	DATE	
DIMENSIONS ARE IN INCHES TOLERANCES:		DRAWN	BHS 01/22/07	
ANGULAR: MACH ± .1 BEND ± .1 TWO PLACE DECIMAL ± .01 THREE PLACE DECIMAL ± .005		CHECKED	KS 02/01/07	
INTERPRET GEOMETRIC TOLERANCING PER: ASME Y14.5M-1994		ENG APPR.	KS 02/01/07	
MATERIAL	COMMENTS:		TITLE: O-RING PORT PLUG, J514 SAE-08	
FINISH	E-mail: info@sherex.com www.sherex.com			
DO NOT SCALE DRAWING				
SIZE		DWG. NO.		REV
<b>A</b>		S08-HS-1-B08A		<b>A</b>
SCALE: 3:2		WEIGHT:		SHEET 1 OF 1