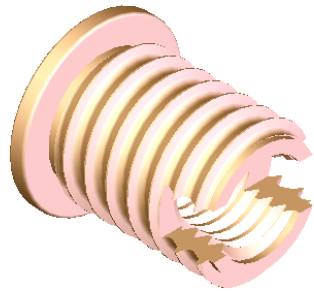
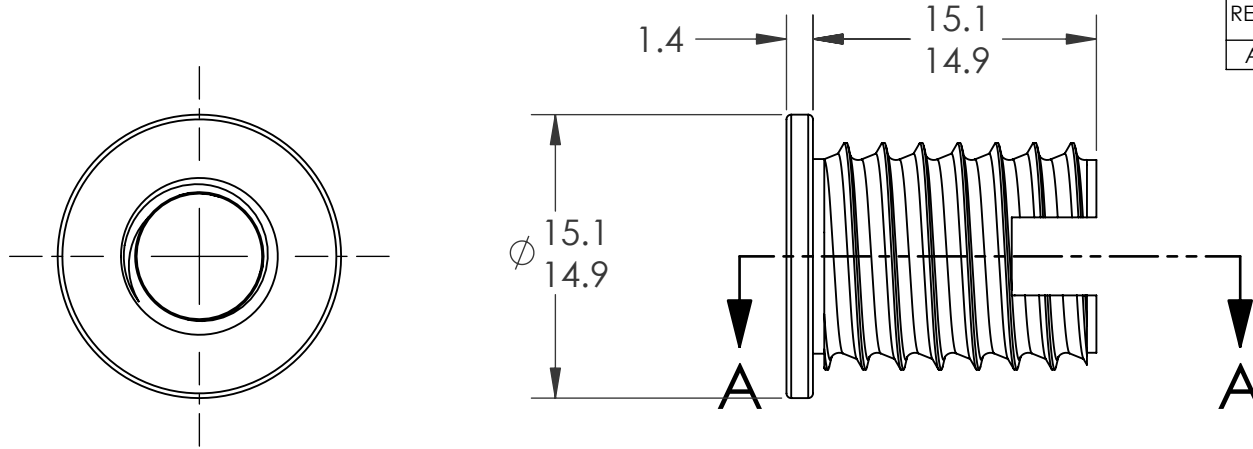
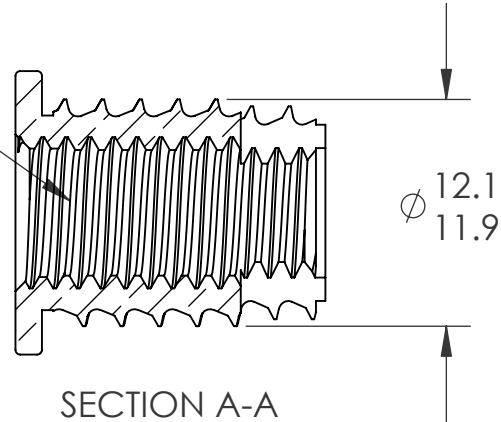


REVISIONS			
REV.	DESCRIPTION	DATE	ECN
A	INITIAL RELEASE	12/31/08	1131



M8X1.25 6H
 PER ASME B1.13M
 MINOR DIA: 6.65 - 6.91



NOTES:

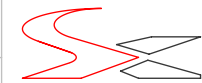
- REFER TO CATALOG FOR RECOMMENDED BOSS DIMENSIONS

PROPRIETARY AND CONFIDENTIAL

THIS DRAWING, AND THE INFORMATION CONTAINED HEREIN, ARE THE PROPERTY OF SHEREX AND ARE NOT TO BE USED IN ANY MANNER DETRIMENTAL TO THE INTEREST OF THE COMPANY.

SHEREX RESERVES THE RIGHT TO REVISE PART/DRAWING WITHOUT NOTICE.

		UNLESS OTHERWISE SPECIFIED:					
		DIMENSIONS ARE IN MILLIMETERS		DRAWN		NAME	
		TOLERANCES:		JVK		DATE	
		ANGULAR: MACH ± 1		CHECKED			
		BEND ± 1		ENG APPR.		JVK	
		ONE PLACE DECIMAL ± 0.2		MFG APPR.		TB	
		TWO PLACE DECIMAL ± 0.10		Q.A.			
		INTERPRET GEOMETRIC TOLERANCING PER: ASME Y14.5M-1994		COMMENTS:			
		MATERIAL		E-mail: info@sherex.com			
		BRASS C3604		www.sherex.com			
		FINISH		Phone: 866-474-3739			
		NONE		Fax: 716-875-0358			
NEXT ASSY		USED ON					
APPLICATION		DO NOT SCALE DRAWING					



TITLE:

M8 FLANGED THREADSERT

SIZE	DWG. NO.	REV
A	B2T-8125-15.0	A

SCALE: 2.5:1 | WEIGHT: kg | SHEET 1 OF 1