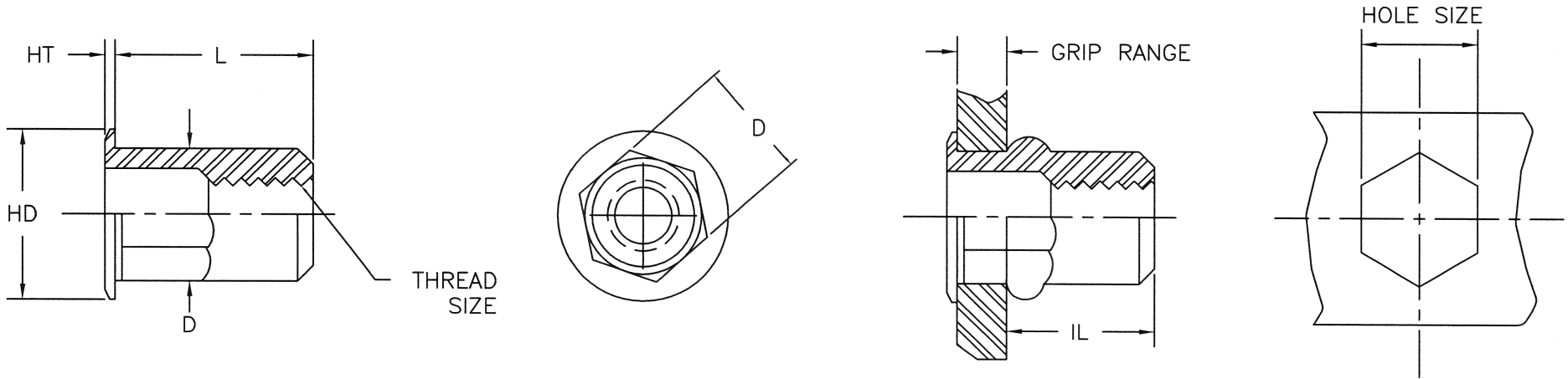


Unified Thread (Unit – Inches)

Part Number (steel)	Thread Size	Grip Range		L ±.015	HD ±.010	HT ±.003	D Max.	IL Max.	HOLE SIZE +.004/-.000
		Min.	Max.						
CAH2-0632-130	6-32 UNC 2B	.080	.130	.435	.375	.027	.249	.295	.250



CAH Specifications Material: Steel 1008/1010 Stainless Steel 302 Aluminum 5056 Finish: Zinc Plated–Yellow Dichromate per ASTM B633 Fe/Zn 8, Type II	Part Number Description CAH2-0632-130 CAH Product Style: 2 Semi Hex Thin Wall Series	2 Material: 1–Stainless Steel 2–Steel 3–Aluminum	0632 Thread Size	130 Grip Range	(–) Empty–Open End B–Closed End
---	---	--	------------------	----------------	------------------------------------

THIS DRAWING, AND THE INFORMATION CONTAINED HERIN, ARE THE PROPERTY OF SHEREX FASTENING SOLUTIONS AND ARE NOT TO BE USED IN ANY MANNER DETRIMENTAL TO THE INTEREST OF THE COMPANY.

NOTE: SHEREX RESERVES THE RIGHT TO REVISE PART/DRAWING WITHOUT NOTICE.

SHEREX FASTENING SOLUTIONS

1400 COMMERCE PKWY.
LANCASTER, NY 14086 USA



SHEREX FASTENING SOLUTIONS

DRAWN BY: JLA	DATE: 8/11/03	SCALE: 1:1	TITLE: CAH STYLE RIVET NUT
------------------	------------------	---------------	-------------------------------

CHECK'D BY: JLA	DATE: 8/11/03	E-mail: info@sherex.com www.sherex.com
APPR'D BY: AJP	DATE: 8/11/03	
Phone: 866-474-3739		DRAWING NO. CAH2-0632-130
Fax: 716-681-0270		

REV	DESCRIPTION	ECN	DATE