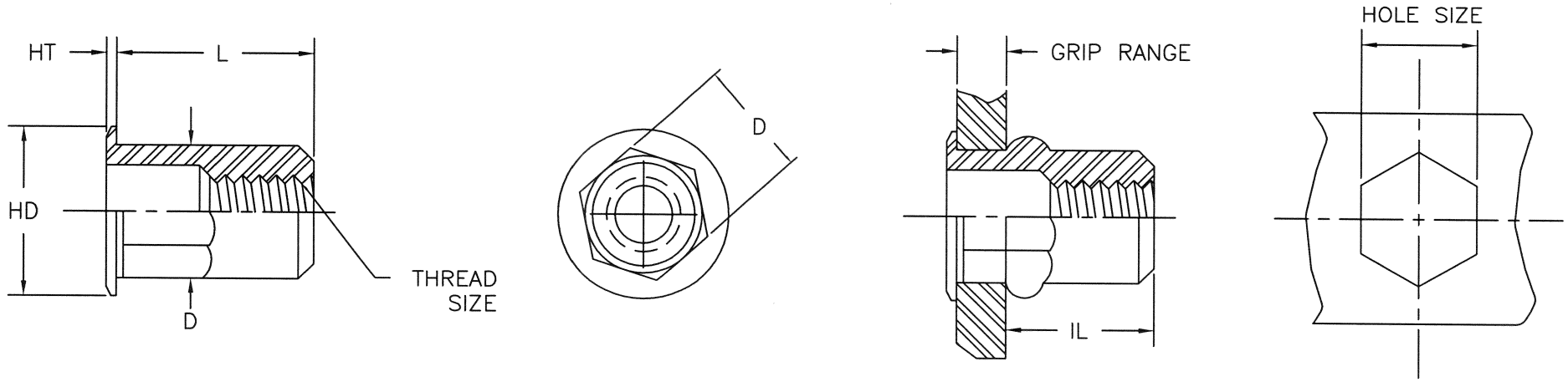


Unified Thread (Unit - Inches)

Part Number (steel)	Thread Size	Grip Range		L	HD	HT	D	IL	HOLE SIZE
		Min.	Max.	±.015	±.010	±.003	Max.	Max.	+ .004 / - .000
CAH2-0832-080	8-32 UNC 2B	.020	.080	.385	.375	.027	.249	.295	.250



CAH Specifications Material: Steel 1008/1010 Stainless Steel 302 Aluminum 5056 Finish: Zinc Plated-Yellow Dichromate per ASTM B633 Fe/Zn 8, Type II		Part Number Description CAH2-0832-080 CAH Product Style Semi Hex Thin Wall Series				
		2	0832	080	(-)	
		Material	Thread Size	Grip Range	Empty-Open End	
		1-Stainless Steel			B-Closed End	
		2-Steel				
		3-Aluminum				

THIS DRAWING, AND THE INFORMATION CONTAINED HERIN, ARE THE PROPERTY OF SHEREX FASTENING SOLUTIONS AND ARE NOT TO BE USED IN ANY MANNER DETRIMENTAL TO THE INTEREST OF THE COMPANY.
 NOTE: SHEREX RESERVES THE RIGHT TO REVISE PART/DRAWING WITHOUT NOTICE.

SHEREX FASTENING SOLUTIONS
 1400 COMMERCE PKWY.
 LANCASTER, NY 14086 USA



				DRAWN BY: JLA	DATE: 8/11/03	SCALE: 1:1	TITLE: CAH STYLE RIVET NUT	DRAWING NO. CAH2-0832-080
				CHECK'D BY: JLA	DATE: 8/11/03	E-mail: info@sherex.com www.sherex.com		
REV	DESCRIPTION	ECN	DATE	APPR'D BY: AJP	DATE: 8/11/03	Phone: 866-474-3739 Fax: 716-681-0270		