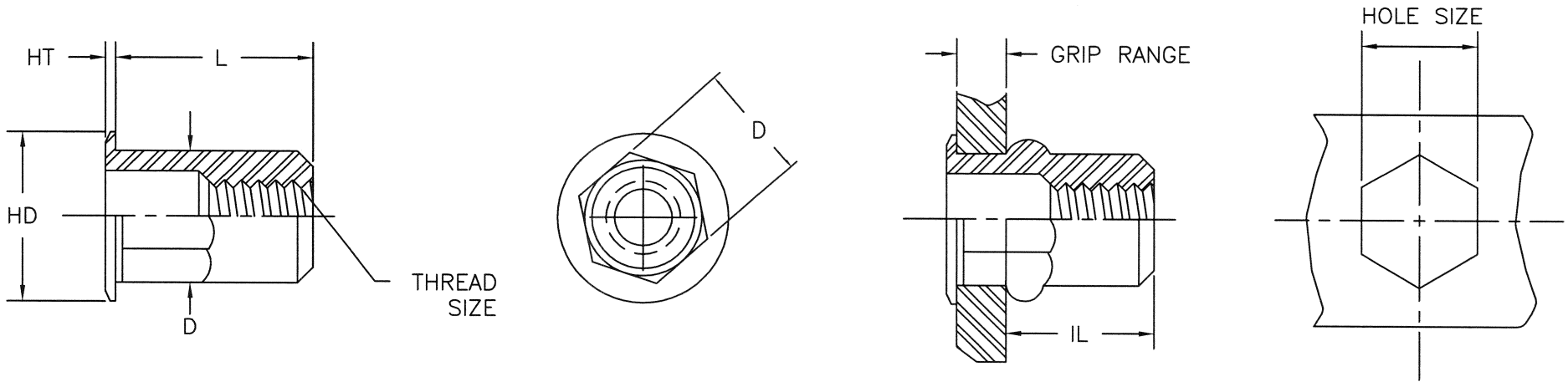


Unified Thread (Unit – Inches)

Part Number (steel)	Thread Size	Grip Range		L	HD	HT	D	IL	HOLE SIZE
		Min.	Max.	±.015	±.010	±.003	Max.	Max.	+.004/- .000
CAH2-0832-130	8-32 UNC	.080	.130	.435	.375	.027	.249	.295	.250



CAH Specifications	Part Number	Description
Material: Steel 1008/1010 Stainless Steel 302 Aluminum 5056	CAH2-0832-130	
Finish: Zinc Plated–Yellow Dichromate per ASTM B633 Fe/Zn 8, Type II	CAH	2
	Product Style	Material
	Semi Hex	1–Stainless Steel
	Thin Wall Series	2–Steel
		3–Aluminum
	0832	130
	Thread Size	Grip Range
		(–)
		Empty–Open End
		B–Closed End

THIS DRAWING, AND THE INFORMATION CONTAINED HERIN, ARE THE PROPERTY OF SHEREX FASTENING SOLUTIONS AND ARE NOT TO BE USED IN ANY MANNER DETRIMENTAL TO THE INTEREST OF THE COMPANY.
NOTE: SHEREX RESERVES THE RIGHT TO REVISE PART/DRAWING WITHOUT NOTICE.

SHEREX FASTENING SOLUTIONS
1400 COMMERCE PKWY.
LANCASTER, NY 14086 USA



				DRAWN BY:	DATE:	SCALE:	TITLE:	DRAWING NO.
				JLA	8/11/03	1:1	CAH STYLE RIVET NUT	
				CHECK'D BY:	DATE:	E-mail: info@sherex.com www.sherex.com		DRAWING NO.
				JLA	8/11/03			
				APPR'D BY:	DATE:	Phone: 866-474-3739 Fax: 716-681-0270		DRAWING NO.
				AJP	8/11/03			
REV	DESCRIPTION	ECN	DATE	CAH2-0832-130				