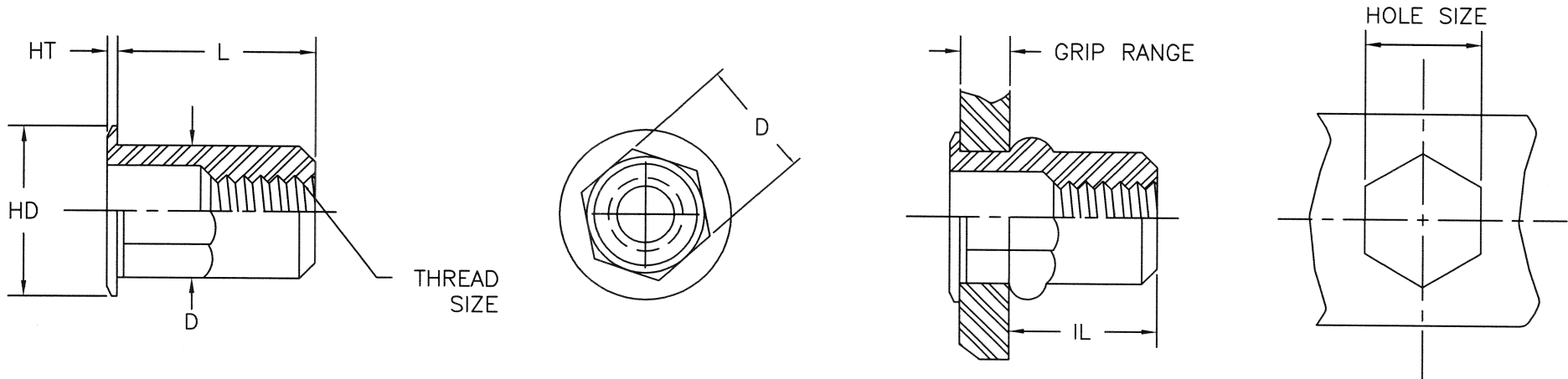


Unified Thread (Unit – Inches)

Part Number (steel)	Thread Size	Grip Range		L	HD	HT	D	IL	HOLE SIZE
		Min.	Max.	±.015	±.010	±.003	Max.	Max.	+0.004/-0.000
CAH2-1024-130	10-24 UNC	.020	.130	.435	.390	.027	.280	.275	.281



<b>CAH Specifications</b> Material: Steel 1008/1010 Stainless Steel 302 Aluminum 5056  Finish: Zinc Plated–Yellow Dichromate per ASTM B633 Fe/Zn 8, Type II		<b>Part Number Description</b> CAH2-1024-130  CAH Product Style Semi Hex Thin Wall Series				2 Material 1–Stainless Steel 2–Steel 3–Aluminum	1024 Thread Size	130 Grip Range	(-) Empty–Open End B–Closed End
---	--	---	--	--	--	---	---------------------	-------------------	---------------------------------------

THIS DRAWING, AND THE INFORMATION CONTAINED HERIN, ARE THE PROPERTY OF SHEREX FASTENING SOLUTIONS AND ARE NOT TO BE USED IN ANY MANNER DETRIMENTAL TO THE INTEREST OF THE COMPANY.

NOTE: SHEREX RESERVES THE RIGHT TO REVISE PART/DRAWING WITHOUT NOTICE.

**SHEREX FASTENING SOLUTIONS**  
 1400 COMMERCE PKWY.  
 LANCASTER, NY 14086 USA



				DRAWN BY: JLA	DATE: 8/11/03	SCALE: 1:1	TITLE: CAH STYLE RIVET NUT	DRAWING NO.  <b>CAH2-1024-130</b>
				CHECK'D BY: JLA	DATE: 8/11/03	E-mail: info@sherex.com www.sherex.com		
				APPR'D BY: AJP	DATE: 8/11/03	Phone: 866-474-3739 Fax: 716-681-0270		
REV	DESCRIPTION	ECN	DATE					