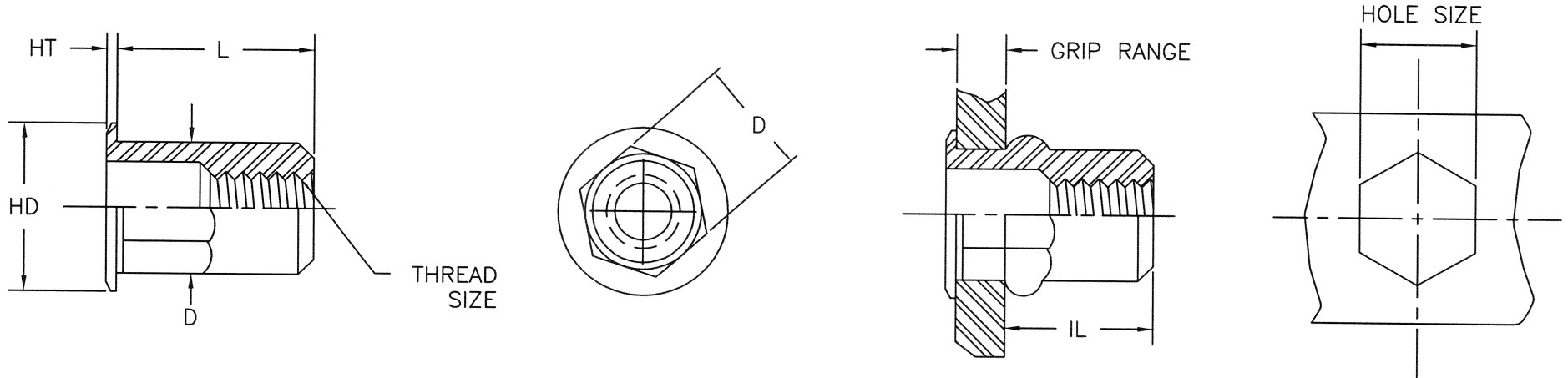


Unified Thread (Unit - Inches)

Part Number (steel)	Thread Size	Grip Range		L ±.015	HD ±.010	HT ±.003	D Max.	IL Max.	HOLE SIZE +.004/- .000
		Min.	Max.						
CAH2-1024-225	10-24 UNC	.130	.225	.535	.390	.027	.280	.275	.281



CAH Specifications Material: Steel 1008/1010 Stainless Steel 302 Aluminum 5056 Finish: Zinc Plated-Yellow Dichromate per ASTM B633 Fe/Zn 8, Type II		Part Number Description CAH2-1024-225 CAH Product Style: 2 Semi Hex Thin Wall Series Material: 1-Stainless Steel, 2-Steel, 3-Aluminum 1024 Thread Size 225 Grip Range (-) Empty-Open End B-Closed End				
---	--	---	--	--	--	--

THIS DRAWING, AND THE INFORMATION CONTAINED HERIN, ARE THE PROPERTY OF SHEREX FASTENING SOLUTIONS AND ARE NOT TO BE USED IN ANY MANNER DETRIMENTAL TO THE INTEREST OF THE COMPANY.

NOTE: SHEREX RESERVES THE RIGHT TO REVISE PART/DRAWING WITHOUT NOTICE.

SHEREX FASTENING SOLUTIONS

1400 COMMERCE PKWY.
LANCASTER, NY 14086 USA



DRAWN BY: JLA	DATE: 8/11/03	SCALE: 1:1	TITLE: CAH STYLE RIVET NUT
------------------	------------------	---------------	-------------------------------

CHECK'D BY: JLA	DATE: 8/11/03	E-mail: info@sherex.com www.sherex.com
APPR'D BY: AJP	DATE: 8/11/03	

DRAWING NO.
CAH2-1024-225

REV	DESCRIPTION	ECN	DATE