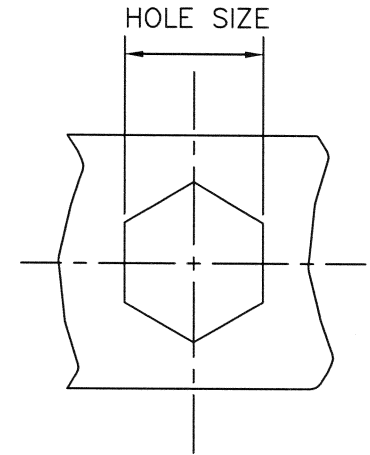
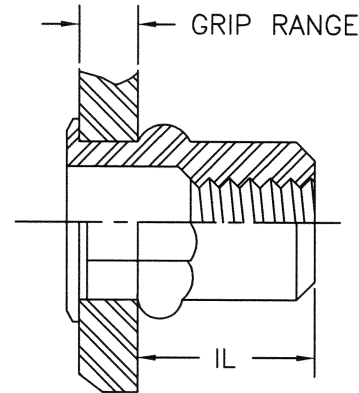
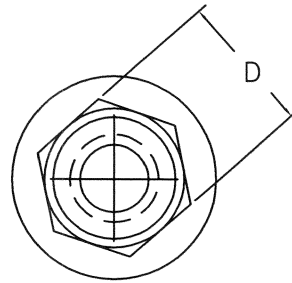
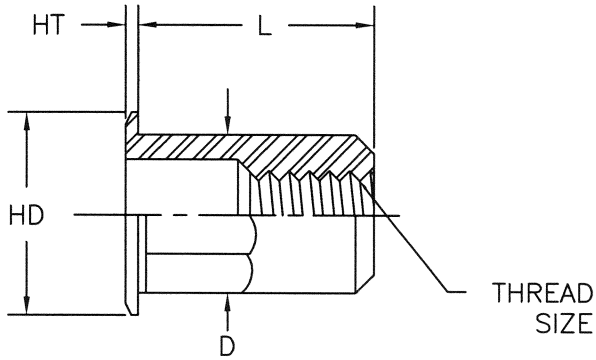


Unified Thread (Unit - Inches)

| Part Number (steel) | Thread Size | Grip Range | | L | HD | HT | D | IL | HOLE SIZE |
|------------------------|-------------|------------|------|-------|-------|-------|------|------|---------------|
| | | Min. | Max. | ±.015 | ±.010 | ±.003 | Max. | Max. | +0.004/-0.000 |
| CAH2-1032-225 | 10-32 UNF | .130 | .225 | .535 | .390 | .027 | .280 | .275 | .281 |



CAH Specifications

Material: Steel 1008/1010
 Stainless Steel 302
 Aluminum 5056
 Finish: Zinc Plated-Yellow Dichromate
 per ASTM B633 Fe/Zn 8, Type II

Part Number Description

CAH2-1032-225

CAH Product Style: 2
 Semi Hex Material: 1-Stainless Steel, 2-Steel, 3-Aluminum
 Thin Wall Series

1032 Thread Size

225 Grip Range

(-) Empty-Open End
 B-Closed End

THIS DRAWING, AND THE INFORMATION CONTAINED HERIN, ARE THE PROPERTY OF SHEREX FASTENING SOLUTIONS AND ARE NOT TO BE USED IN ANY MANNER DETRIMENTAL TO THE INTEREST OF THE COMPANY.

NOTE: SHEREX RESERVES THE RIGHT TO REVISE PART/DRAWING WITHOUT NOTICE.

SHEREX FASTENING SOLUTIONS

1400 COMMERCE PKWY.
 LANCASTER, NY 14086 USA



SHEREX FASTENING SOLUTIONS

| | | | |
|-----------|---------|--------|---------------------|
| DRAWN BY: | DATE: | SCALE: | TITLE: |
| JLA | 8/11/03 | 1:1 | CAH STYLE RIVET NUT |

| | | |
|-------------|---------|---|
| CHECK'D BY: | DATE: | E-mail: info@sherex.com www.sherex.com |
| JLA | 8/11/03 | |

| | | |
|------------|---------|--|
| APPR'D BY: | DATE: | Phone: 866-474-3739 Fax: 716-681-0270 |
| AJP | 8/11/03 | |

DRAWING NO.

CAH2-1032-225

| REV | DESCRIPTION | ECN | DATE |
|-----|-------------|-----|------|
| | | | |