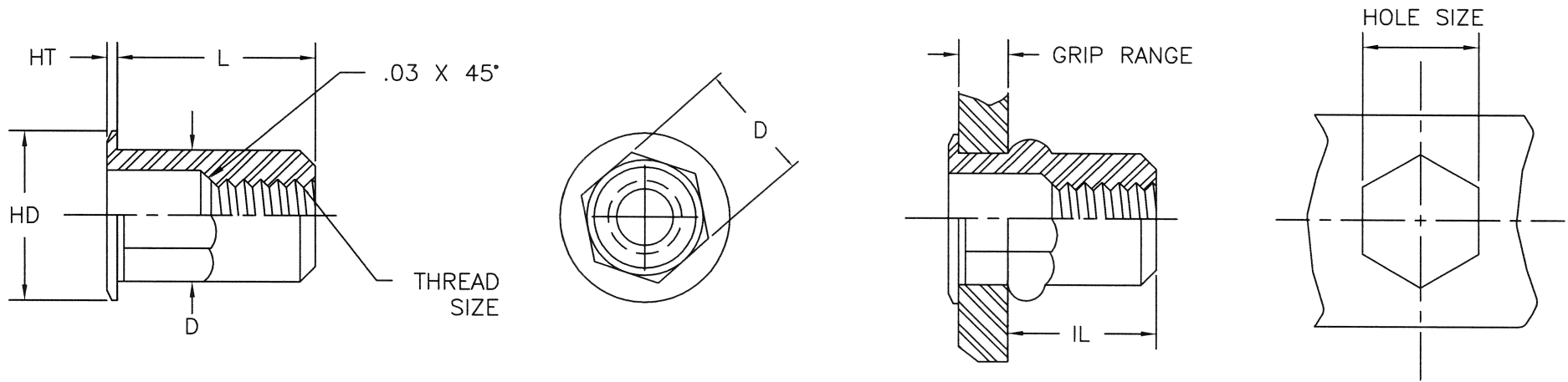


Unified Thread (Unit – Inches)

Part Number (steel)	Thread Size	Grip Range		L	HD	HT	D	IL	HOLE SIZE
		Min.	Max.	±.015	±.025	±.003	Max.	Max.	+ .004 / - .000
CAH2-3118-150	5/16-18 UNC	.027	.150	.685	.655	.035	.499	.530	.500



CAH Specifications Material: Steel 1008/1010 Stainless Steel 302 Aluminum 5056 Finish: Zinc Plated–Yellow Dichromate per ASTM B633 Fe/Zn 8, Type II		Part Number Description CAH2-3118-150 CAH Product Style: 2 Semi Hex Material: 1–Stainless Steel Thin Wall Series: 2–Steel, 3–Aluminum 3118 Thread Size 150 Grip Range (–) Empty–Open End B–Closed End					
---	--	--	--	--	--	--	--

THIS DRAWING, AND THE INFORMATION CONTAINED HERIN, ARE THE PROPERTY OF SHEREX FASTENING SOLUTIONS AND ARE NOT TO BE USED IN ANY MANNER DETRIMENTAL TO THE INTEREST OF THE COMPANY.
 NOTE: SHEREX RESERVES THE RIGHT TO REVISE PART/DRAWING WITHOUT NOTICE.

SHEREX FASTENING SOLUTIONS
 1400 COMMERCE PKWY.
 LANCASTER, NY 14086 USA



				DRAWN BY: TOO DATE: 4/29/05 SCALE: 1:1 TITLE: HALF HEX LARGE FLANGE	E-mail: info@sherex.com www.sherex.com Phone: 866-474-3739 Fax: 716-681-0270	DRAWING NO. CAH2-3118-150
				CHECK'D BY: TOO DATE: 4/29/05		
A	ADDED COUNTERSINK		4/29/05	APPR'D BY: AJP DATE: 4/29/05		
REV	DESCRIPTION	ECN	DATE			