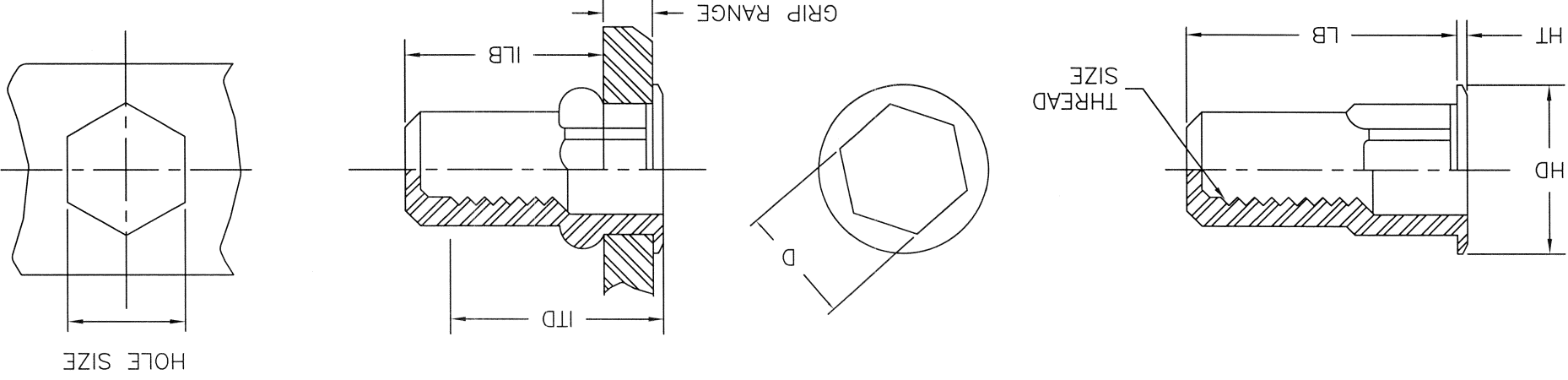


Unified Thread (Unit - Inches)

Part Number (steel)	Thread Size	Grip Range	HD	HT	D	LB	ILB	ITD	HOLE SIZE
CAH2-3716-312B	3/8-16 UNC	Min. Max.	±.025	±.003	Max.	±.015	Max.	1.220	1.170
		.150 .312	.655	.035	.499	1.445	1.220		.500



CAH Specifications	Material: Steel 1008/1010	Stainless Steel 302	Aluminum 5056	Finish: Zinc Plated-Yellow Dichromate	per ASTM B633 Fe/Zn 8, Type II
Part Number Description	CAH2-3716-312B	CAH	Semi Hex	Product Style	Thin Wall Series
		2	1-Stainless Steel	Material	3-Aluminum
		3716	Thread Size	Grip Range	312
		(-)	Empty-Open End	B-Closed End	

THIS DRAWING, AND THE INFORMATION CONTAINED HEREIN, ARE THE PROPERTY OF SHEREX INDUSTRIES, LTD. AND ARE NOT TO BE USED IN ANY MANNER DETRIMENTAL TO THE INTEREST OF THE COMPANY.
NOTE: SHEREX RESERVES THE RIGHT TO REVISE PART/DRAWING WITHOUT NOTICE.

SHEREX INDUSTRIES LTD.
1400 COMMERCE PKWY.
LANCASTER, NY 14086 USA



DRAWN BY: JLA
DATE: 8/6/03
SCALE: 1:1
TITLE: CAH RIVET NUT, CLOSED END

E-mail: info@sherex.com
www.sherex.com
Phone: 866-474-3739
Fax: 716-681-0270

DRAWING NO.

CAH2-3716-312B