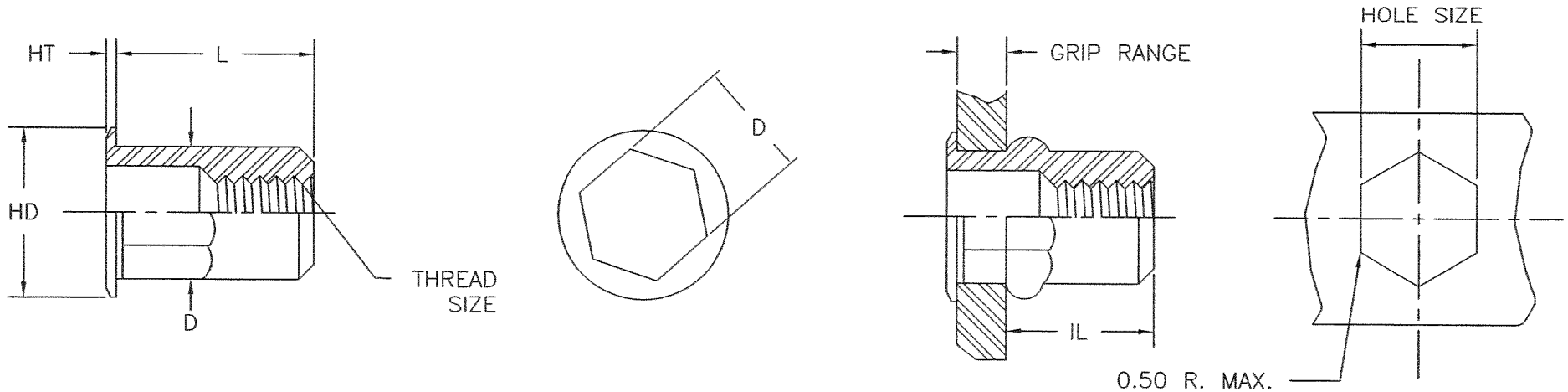


Metric Thread (Unit – Millimeters)

Part Number (steel)	Thread Size	Grip Range		L	HD	HT	D	IL	HOLE SIZE
		Min.	Max.	±.38	±.25	±.08	Max.	Max.	+ .10/- .000
CAH2-580-3.3	M5X0.8 ISO	0.50	3.30	11.05	9.91	0.68	7.10	6.99	7.14



CAH Specifications		Part Number Description				
Material:	Steel 1008/1010 Stainless Steel 302 Aluminum 5056	CAH2-580-3.3				
Finish:	Zinc Plated–Yellow Dichromate per ASTM B633 Fe/Zn 8, Type II	CAH	2	580	3.30	(-)
		Product Style	Material	Thread Size	Grip Range	Empty–Open End
		Semi Hex	1–Stainless Steel			B–Closed End
		Thin Wall Series	2–Steel			
			3–Aluminum			

THIS DRAWING, AND THE INFORMATION CONTAINED HERIN, ARE THE PROPERTY OF SHEREX FASTENING SOLUTIONS AND ARE NOT TO BE USED IN ANY MANNER DETRIMENTAL TO THE INTEREST OF THE COMPANY.

NOTE: SHEREX RESERVES THE RIGHT TO REVISE PART/DRAWING WITHOUT NOTICE.

**SHEREX FASTENING SOLUTIONS**  
 1400 COMMERCE PKWY.  
 LANCASTER, NY 14086 USA



				DRAWN BY:	DATE:	SCALE:	TITLE:	DRAWING NO. <b>CAH2-580-3.3</b>	
				JLA	8/11/03	1:1	CAH STYLE RIVET NUT		
				CHECK'D BY:	DATE:	E-mail: info@sherex.com www.sherex.com			
				JLA	8/11/03				
				APPR'D BY:	DATE:	Phone: 866-474-3739 Fax: 716-681-0270			
				AJP	8/11/03				
REV	DESCRIPTION	ECN	DATE						