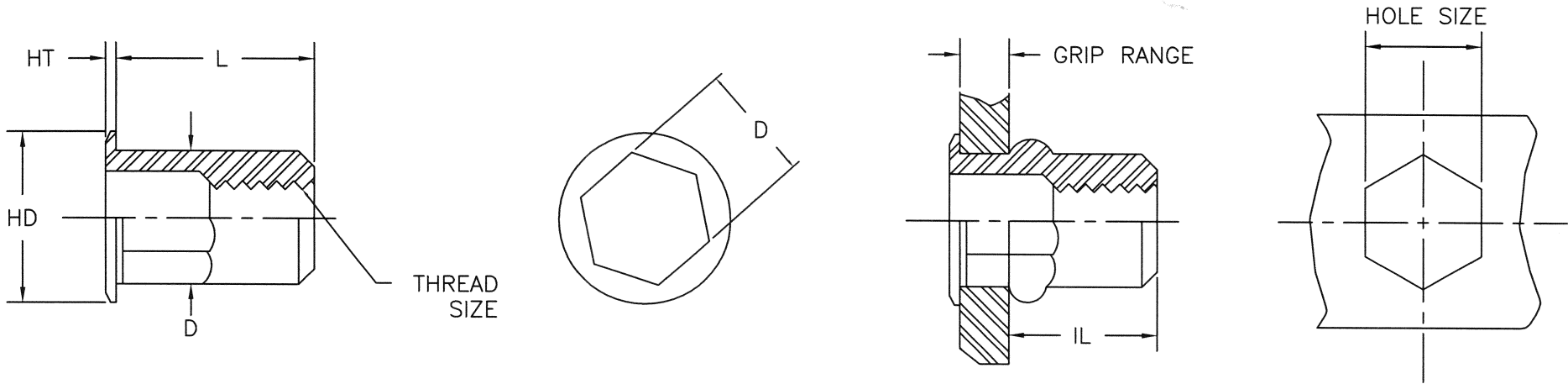


Metric Thread (Unit – Millimeters)

Part Number (steel)	Thread Size	Grip Range		L	HD	HT	D	IL	HOLE SIZE
		Min.	Max.	±.38	±.25	±.08	Max.	Max.	+ .10 / - .000
CAH2-580-5.7	M5X0.8 ISO	3.30	5.70	13.59	9.91	0.68	7.10	6.99	7.14



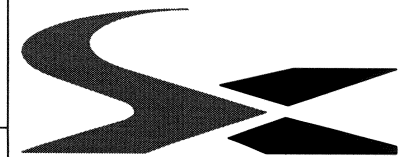
CAH Specifications	Part Number Description
Material: Steel 1008/1010 Stainless Steel 302 Aluminum 5056	CAH2-580-5.7
Finish: Zinc Plated-Yellow Dichromate per ASTM B633 Fe/Zn 8, Type II	CAH Product Style 2 Semi Hex Material 1-Stainless Steel Thin Wall Series 2-Steel 3-Aluminum
	580 Thread Size
	5.70 Grip Range
	(-) Empty-Open End B-Closed End

THIS DRAWING, AND THE INFORMATION CONTAINED HERIN, ARE THE PROPERTY OF SHEREX FASTENING SOLUTIONS AND ARE NOT TO BE USED IN ANY MANNER DETRIMENTAL TO THE INTEREST OF THE COMPANY.

NOTE: SHEREX RESERVES THE RIGHT TO REVISE PART/DRAWING WITHOUT NOTICE.

SHEREX FASTENING SOLUTIONS

1400 COMMERCE PKWY.
LANCASTER, NY 14086 USA



SHEREX FASTENING SOLUTIONS

DRAWN BY: JLA	DATE: 8/11/03	SCALE: 1:1	TITLE: CAH STYLE RIVET NUT
------------------	------------------	---------------	-------------------------------

CHECK'D BY: JLA	DATE: 8/11/03	E-mail: info@sherex.com www.sherex.com
APPR'D BY: AJP	DATE: 8/11/03	
		Phone: 866-474-3739 Fax: 716-681-0270

DRAWING NO.

CAH2-580-5.7

REV	DESCRIPTION	ECN	DATE