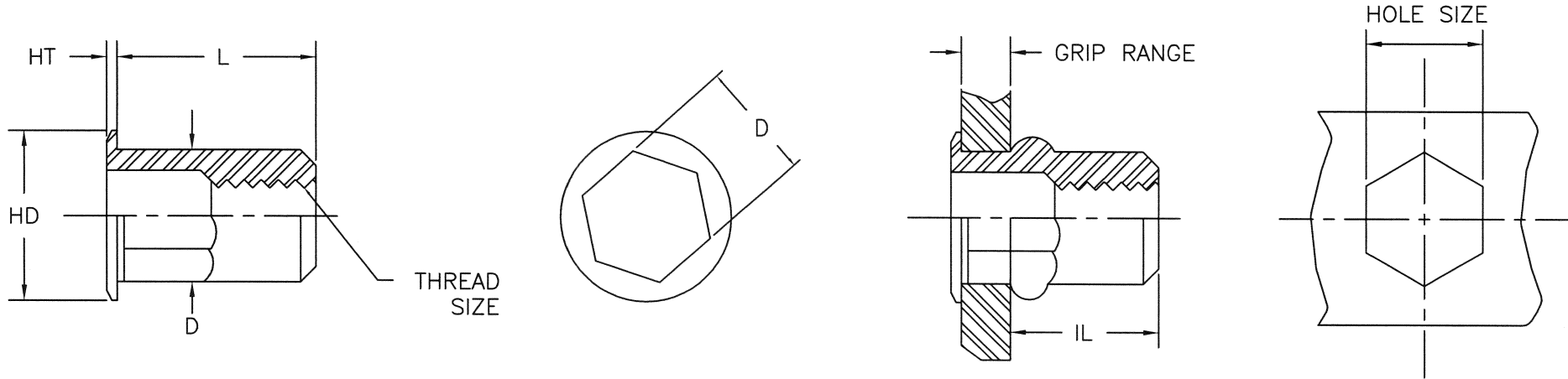


Metric Thread (Unit – Millimeters)

Part Number (steel)	Thread Size	Grip Range		L	HD	HT	D	IL	HOLE SIZE
		Min.	Max.	±.38	±.25	±.08	Max.	Max.	+ .10/- .000
CAH2-610-4.2	M6X1.0 ISO	0.70	4.20	14.86	12.96	0.76	9.50	10.16	9.53



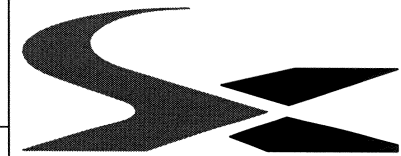
<b>CAH Specifications</b> Material: Steel 1008/1010 Stainless Steel 302 Aluminum 5056  Finish: Zinc Plated–Yellow Dichromate per ASTM B633 Fe/Zn 8, Type II		<b>Part Number Description</b> CAH2-610-4.2  CAH Product Style: 2 Semi Hex Thin Wall Series Material: 1–Stainless Steel, 2–Steel, 3–Aluminum 610 Thread Size 4.20 Grip Range (-) Empty–Open End, B–Closed End				
---	--	--	--	--	--	--

THIS DRAWING, AND THE INFORMATION CONTAINED HERIN, ARE THE PROPERTY OF SHEREX FASTENING SOLUTIONS AND ARE NOT TO BE USED IN ANY MANNER DETRIMENTAL TO THE INTEREST OF THE COMPANY.

NOTE: SHEREX RESERVES THE RIGHT TO REVISE PART/DRAWING WITHOUT NOTICE.

SHEREX FASTENING SOLUTIONS

1400 COMMERCE PKWY.  
LANCASTER, NY 14086 USA



SHEREX FASTENING SOLUTIONS

DRAWN BY: JLA	DATE: 8/11/03	SCALE: 1:1	TITLE: CAH STYLE RIVET NUT
------------------	------------------	---------------	-------------------------------

CHECK'D BY: JLA	DATE: 8/11/03	E-mail: info@sherex.com www.sherex.com Phone: 866-474-3739 Fax: 716-681-0270
APPR'D BY: AJP	DATE: 8/11/03	

DRAWING NO.

CAH2-610-4.2

REV	DESCRIPTION	ECN	DATE