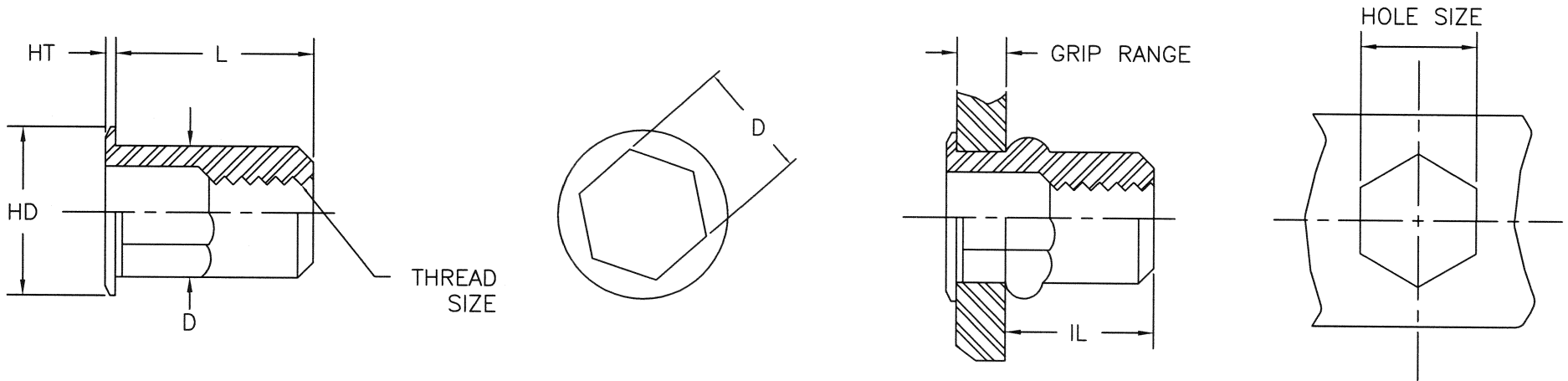


Metric Thread (Unit – Millimeters)

Part Number (steel)	Thread Size	Grip Range		L	HD	HT	D	IL	HOLE SIZE
		Min.	Max.	±.38	±.25	±.08	Max.	Max.	+ .10 / - .000
CAH2-610-6.6	M6X1.0 ISO	4.20	6.60	17.40	12.96	0.76	9.50	10.16	9.53



CAH Specifications

Material: Steel 1008/1010
 Stainless Steel 302
 Aluminum 5056
 Finish: Zinc Plated–Yellow Dichromate
 per ASTM B633 Fe/Zn 8, Type II

Part Number Description

CAH2-610-6.6
 CAH Product Style 2 Material 610 Thread Size 6.60 Grip Range (-) Empty–Open End B–Closed End
 Semi Hex 1–Stainless Steel
 Thin Wall Series 2–Steel
 3–Aluminum

THIS DRAWING, AND THE INFORMATION CONTAINED HERIN, ARE THE PROPERTY OF SHEREX FASTENING SOLUTIONS AND ARE NOT TO BE USED IN ANY MANNER DETRIMENTAL TO THE INTEREST OF THE COMPANY.

NOTE: SHEREX RESERVES THE RIGHT TO REVISE PART/DRAWING WITHOUT NOTICE.

SHEREX FASTENING SOLUTIONS

1400 COMMERCE PKWY.
 LANCASTER, NY 14086 USA



DRAWN BY: JLA	DATE: 8/11/03	SCALE: 1:1	TITLE: CAH STYLE RIVET NUT
------------------	------------------	---------------	-------------------------------

CHECK'D BY: JLA	DATE: 8/11/03	E-mail: info@sherex.com www.sherex.com
--------------------	------------------	---

APPR'D BY: AJP	DATE: 8/11/03	Phone: 866-474-3739 Fax: 716-681-0270
-------------------	------------------	--

DRAWING NO.
CAH2-610-6.6

REV	DESCRIPTION	ECN	DATE