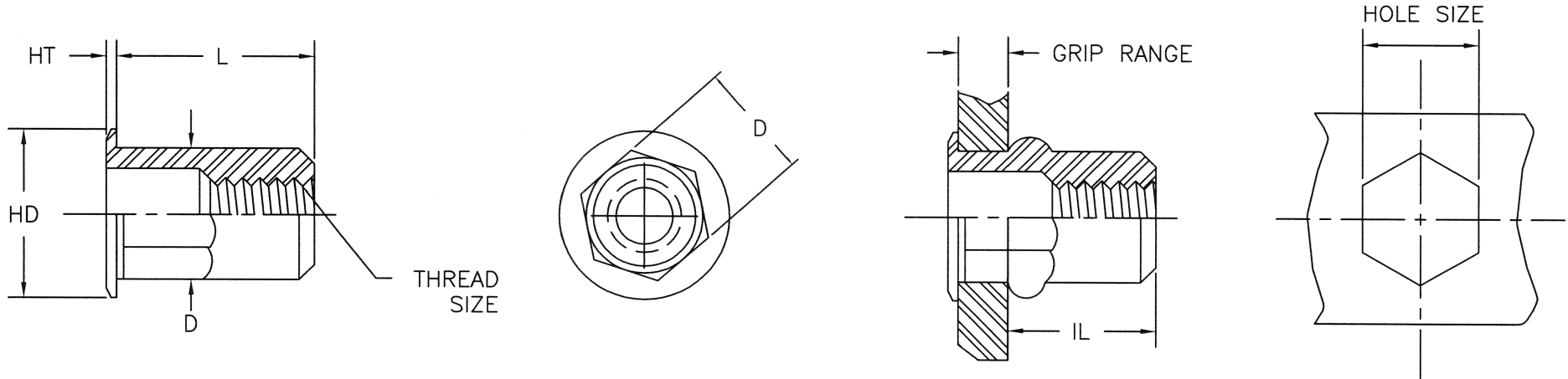


Metric Thread (Unit – Millimeters)

| Part Number (steel) | Thread Size | Grip Range | | L | HD | HT | D | IL | HOLE SIZE |
|------------------------|-------------|------------|------|-------|-------|------|-------|-------|----------------|
| | | Min. | Max. | ±.38 | ±.64 | ±.08 | Max. | Max. | + .10 / - .000 |
| CAH2-8125-3.8 | M8X1.25 ISO | 0.70 | 3.80 | 17.40 | 16.64 | 0.89 | 12.70 | 13.46 | 12.70 |



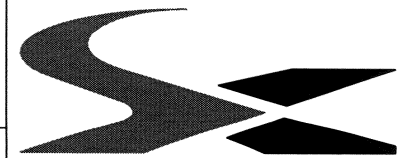
| | | | | | | | |
|---|--|--|--|--|--|--|--|
| CAH Specifications Material: Steel 1008/1010 Stainless Steel 302 Aluminum 5056 Finish: Zinc Plated–Yellow Dichromate per ASTM B633 Fe/Zn 8, Type II | | Part Number Description CAH2-8125-3.8 CAH Product Style: 2 Thin Wall Series Material: 1–Stainless Steel, 2–Steel, 3–Aluminum 8125 Thread Size 3.80 Grip Range (–) Empty–Open End B–Closed End | | | | | |
|---|--|--|--|--|--|--|--|

THIS DRAWING, AND THE INFORMATION CONTAINED HERIN, ARE THE PROPERTY OF SHEREX FASTENING SOLUTIONS AND ARE NOT TO BE USED IN ANY MANNER DETRIMENTAL TO THE INTEREST OF THE COMPANY.

NOTE: SHEREX RESERVES THE RIGHT TO REVISE PART/DRAWING WITHOUT NOTICE.

SHEREX FASTENING SOLUTIONS

1400 COMMERCE PKWY.
LANCASTER, NY 14086 USA



SHEREX FASTENING SOLUTIONS

| REV | DESCRIPTION | ECN | DATE |
|-----|-------------|-----|------|
| | | | |

| | | | |
|--------------------|------------------|---|---------------------------------|
| DRAWN BY: TOO | DATE: 4/29/05 | SCALE: 1:1 | TITLE: HALF HEX LARGE FLANGE |
| CHECK'D BY: TOO | DATE: 4/29/05 | E-mail: info@sherex.com www.sherex.com | |
| APPR'D BY: AJP | DATE: 4/29/05 | Phone: 866-474-3739 Fax: 716-681-0270 | |

| |
|---------------------------------|
| DRAWING NO. CAH2-8125-38 |
|---------------------------------|