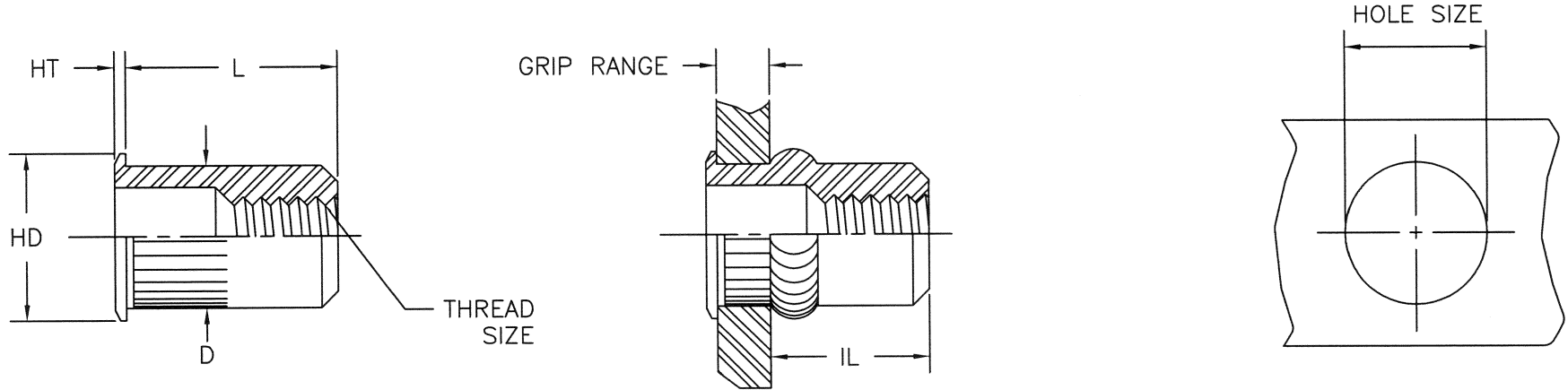


Unified Thread (Unit - Inches)

Part Number (steel)	Thread Size	Grip Range		L	HD	HT	D	IL	HOLE SIZE
		Min.	Max.	±.015	±.010	±.002	Max.	Max.	+ .006 / - .000
CAK2-3716-312	3/8-16 UNC	.150	.312	.805	.595	.022	.530	.425	.531



<b>CAK Specifications</b> Material: Steel 1008/1010 Stainless Steel 302 Aluminum 5056 Finish: Zinc Plated-Yellow Dichromate per ASTM B633 Fe/Zn 8, Type II		<b>Part Number Description</b> CAK2-3716-312 CAK 2 3716 312 (-) Product Style Material Thread Size Grip Range Empty-Open End Small Flange 1-Stainless Steel B-Closed End Knurled Body 2-Steel SH-Square Head Thin Wall Series 3-Aluminum				
---	--	--	--	--	--	--

THIS DRAWING, AND THE INFORMATION CONTAINED HERIN, ARE THE PROPERTY OF SHEREX FASTENING SOLUTIONS AND ARE NOT TO BE USED IN ANY MANNER DETRIMENTAL TO THE INTEREST OF THE COMPANY.

NOTE: SHEREX RESERVES THE RIGHT TO REVISE PART/DRAWING WITHOUT NOTICE.

SHEREX FASTENING SOLUTIONS

1400 COMMERCE PKWY.  
LANCASTER, NY 14086 USA



SHEREX FASTENING SOLUTIONS

				DRAWN BY: TOO DATE: 5/23/05 SCALE: 1:1 TITLE: CAK STYLE RIVET NUT		
				CHECK'D BY: TOO DATE: 5/23/05	E-mail: info@sherex.com www.sherex.com Phone: 866-474-3739 Fax: 716-681-0270	DRAWING NO. CAK2-3716-312
REV	DESCRIPTION	ECN	DATE	APPR'D BY: AJP DATE: 5/23/05		