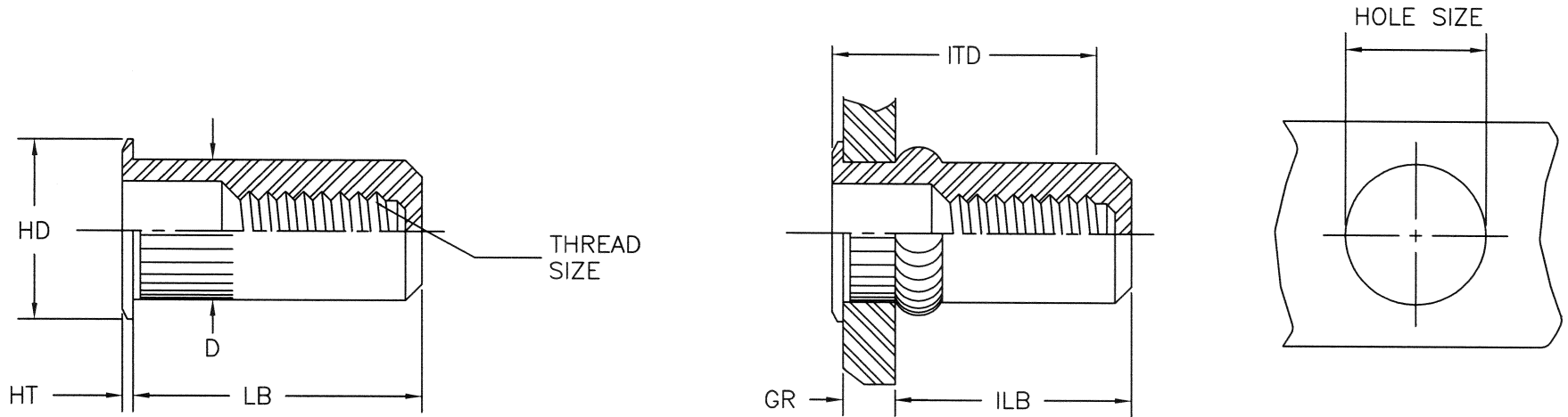


Unified Thread (Unit - Inches)

Part Number (steel)	Thread Size	Grip Range		HD	HT	D	LB	ILB	ITD	HOLE SIZE +.006/- .000
		Min.	Max.	±.010	±.002	Max.	±.015	Max.	Ref.	
CAK2-3724-150B	3/8-24 UNF	.027	.150	.595	.022	.530	1.390	1.175	.995	.531



CAK Specifications Material: Steel 1008/1010 Stainless Steel 302 Aluminum 5056 Finish: Zinc Plated-Yellow Dichromate per ASTM B633 Fe/Zn 8, Type II		Part Number Description CAK2-3724-150B CAK Product Style Small Flange Knurled Body Thin Wall Series					2 Material 1-Stainless Steel 2-Steel 3-Aluminum	3724 Thread Size	150 Grip Range	(B) Empty-Open End B-Closed End
---	--	---	--	--	--	--	--	------------------	----------------	------------------------------------

THIS DRAWING, AND THE INFORMATION CONTAINED HERIN, ARE THE PROPERTY OF SHEREX FASTENING SOLUTIONS AND ARE NOT TO BE USED IN ANY MANNER DETRIMENTAL TO THE INTEREST OF THE COMPANY.

NOTE: SHEREX RESERVES THE RIGHT TO REVISE PART/DRAWING WITHOUT NOTICE.

SHEREX FASTENING SOLUTIONS

1400 COMMERCE PKWY.
 LANCASTER, NY 14086 USA



DRAWN BY: TOO	DATE: 5/23/05	SCALE: 1:1	TITLE: CAK STYLE RIVET NUT
------------------	------------------	---------------	-------------------------------

CHECK'D BY: TOO	DATE: 5/23/05	E-mail: info@sherex.com www.sherex.com Phone: 866-474-3739 Fax: 716-681-0270
APPR'D BY: AJP	DATE: 5/23/05	

DRAWING NO.
CAK2-3724-150B

REV	DESCRIPTION	ECN	DATE