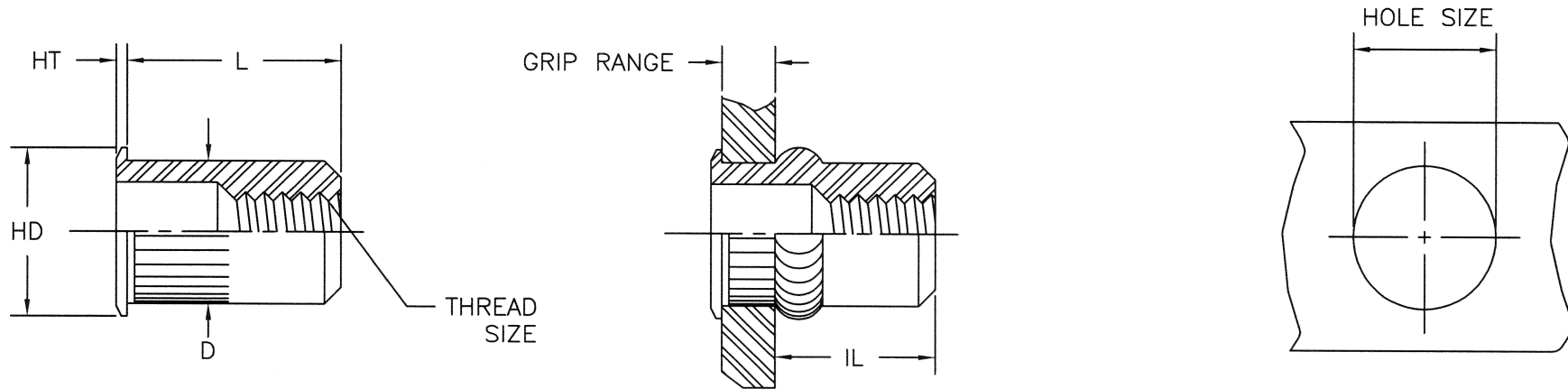


Metric Thread (Unit - Millimeters)

| Part Number (steel) | Thread Size | Grip Range | | L | HD | HT | D | IL | HOLE SIZE |
|------------------------|-------------|------------|------|-------|-------|-------|-------|-------|--------------|
| | | Min. | Max. | ±0.38 | ±0.25 | ±0.05 | Max. | Max. | +0.15/-0.000 |
| CAK2-8125-3.8 | M8X1.25 6H | 0.70 | 3.80 | 17.53 | 15.11 | 0.55 | 13.46 | 11.94 | 13.50 |



| CAK Specifications | Part Number Description |
|---|---|
| Material: Steel 1008/1010 Stainless Steel 302 Aluminum 5056 | CAK2-8125-3.8 |
| Finish: Zinc Plated-Yellow Dichromate per ASTM B633 Fe/Zn 8, Type II | CAK 2 8125 3.8 (-) Product Style Small Flange Knurled Body Thin Wall Series Material 1-Stainless Steel 2-Steel 3-Aluminum Thread Size Grip Range Empty-Open End B-Closed End |

THIS DRAWING, AND THE INFORMATION CONTAINED HERIN, ARE THE PROPERTY OF SHEREX FASTENING SOLUTIONS AND ARE NOT TO BE USED IN ANY MANNER DETRIMENTAL TO THE INTEREST OF THE COMPANY.
NOTE: SHEREX RESERVES THE RIGHT TO REVISE PART/DRAWING WITHOUT NOTICE.

SHEREX FASTENING SOLUTIONS

1400 COMMERCE PKWY.
LANCASTER, NY 14086 USA



SHEREX FASTENING SOLUTIONS

| | | | |
|------------------|------------------|---------------|-------------------------------|
| DRAWN BY: TOO | DATE: 5/23/05 | SCALE: 1:1 | TITLE: CAK STYLE RIVET NUT |
|------------------|------------------|---------------|-------------------------------|

| | | |
|---------------------|------------------|---|
| CHECK'D BY: TOO | DATE: 5/23/05 | E-mail: info@sherex.com www.sherex.com |
| APPR'D BY: AJP | DATE: 5/23/05 | |
| Phone: 866-474-3739 | | DRAWING NO. CAK2-8125-3.8 |
| Fax: 716-681-0270 | | |

| REV | DESCRIPTION | ECN | DATE |
|-----|-------------|-----|------|
| | | | |