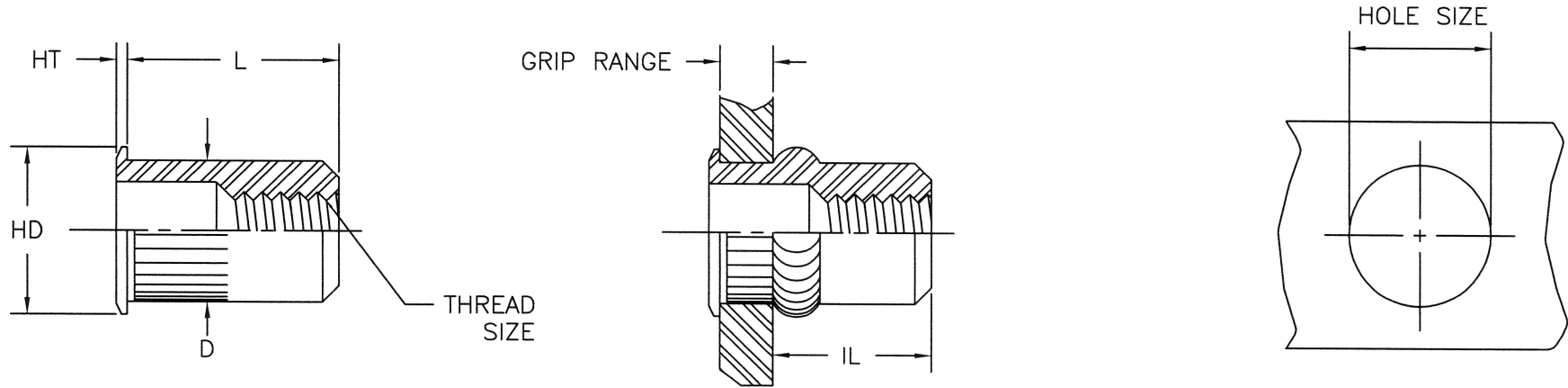


Metric Thread (Unit - Millimeters)

Part Number (steel)	Thread Size	Grip Range		L	HD	HT	D	IL	HOLE SIZE
		Min.	Max.	±0.38	±0.25	±0.05	Max.	Max.	+0.15/-0.000
CAK2-8125-7.9	M8X1.25 6H	3.80	7.90	20.45	15.11	0.55	13.46	11.94	13.50



CAK Specifications

Material: Steel 1008/1010
 Stainless Steel 302
 Aluminum 5056
 Finish: Zinc Plated-Yellow Dichromate
 per ASTM B633 Fe/Zn 8, Type II

Part Number Description

CAK2-8125-7.9

CAK 2
 Product Style Material
 Small Flange 1-Stainless Steel
 Knurled Body 2-Steel
 Thin Wall Series 3-Aluminum

8125
 Thread Size

7.9
 Grip Range

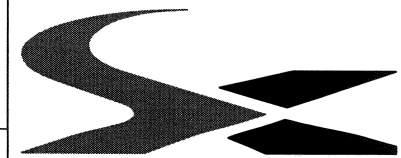
(-)
 Empty-Open End
 B-Closed End

THIS DRAWING, AND THE INFORMATION CONTAINED HERIN, ARE THE PROPERTY OF SHEREX FASTENING SOLUTIONS AND ARE NOT TO BE USED IN ANY MANNER DETRIMENTAL TO THE INTEREST OF THE COMPANY.

NOTE: SHEREX RESERVES THE RIGHT TO REVISE PART/DRAWING WITHOUT NOTICE.

SHEREX FASTENING SOLUTIONS

1400 COMMERCE PKWY.
 LANCASTER, NY 14086 USA



SHEREX FASTENING SOLUTIONS

DRAWN BY: TOO	DATE: 5/23/05	SCALE: 1:1	TITLE: CAK STYLE RIVET NUT
------------------	------------------	---------------	-------------------------------

CHECK'D BY: TOO	DATE: 5/23/05	E-mail: info@sherex.com www.sherex.com
APPR'D BY: AJP	DATE: 5/23/05	

DRAWING NO.

CAK2-8125-7.9

REV	DESCRIPTION	ECN	DATE