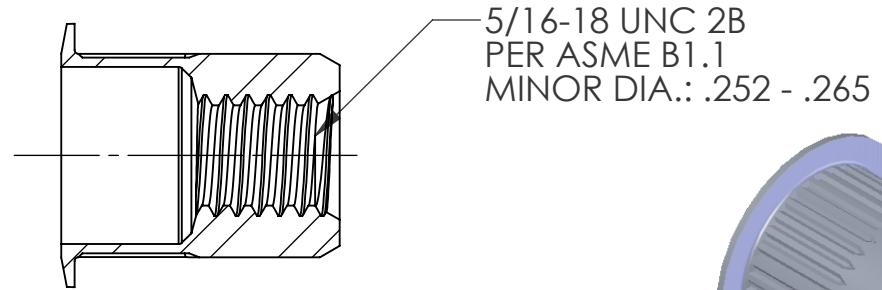
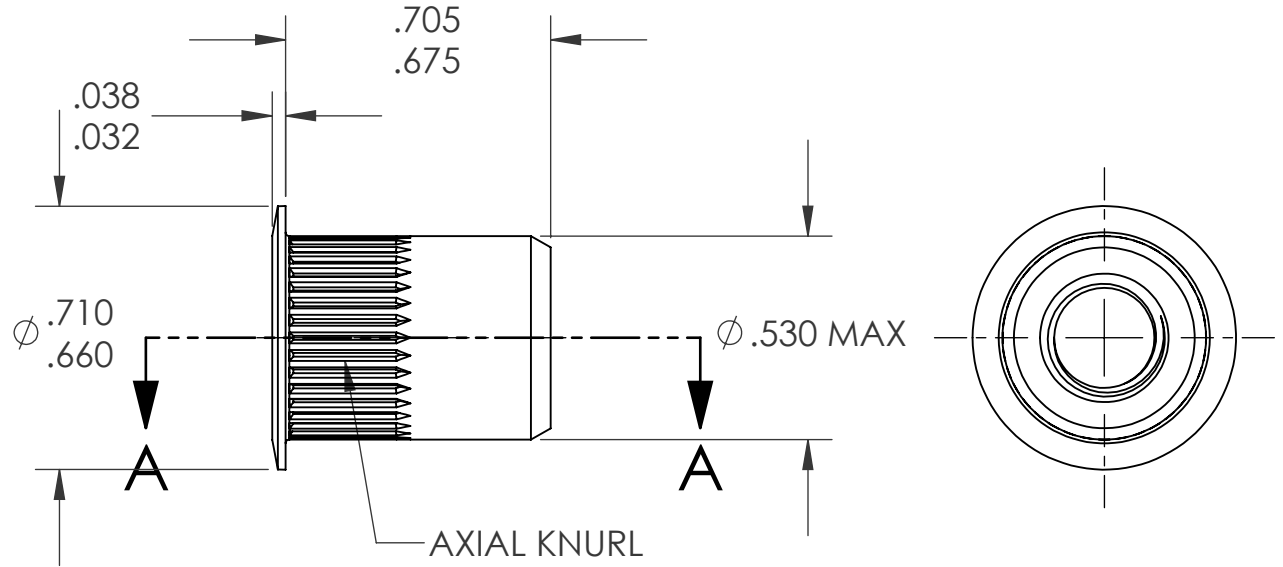
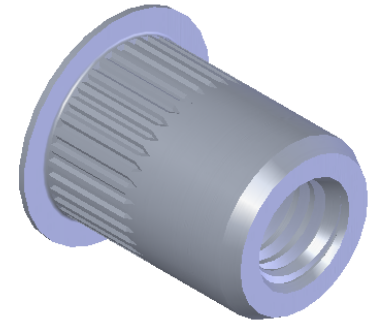


REVISIONS			
REV.	DESCRIPTION	DATE	ECN
A	INITIAL RELEASE	4/21/09	1167



SECTION A-A




NOTE:

- GRIP RANGE: .027 - .150
- HOLE SIZE: .531 +.006/-.000 AFTER ALL APPLIED FINISHES.
- INSTALLED LENGTH: .470 MAX.
- LUBRICATION: NONE
- INSTALLATION TOOL: MS 50 SPIN PULL

**PROPRIETARY AND CONFIDENTIAL**

THIS DRAWING, AND THE INFORMATION CONTAINED HEREIN, ARE THE PROPERTY OF SHEREX AND ARE NOT TO BE USED IN ANY MANNER DETRIMENTAL TO THE INTEREST OF THE COMPANY.  
SHEREX SOLUTIONS RESERVES THE RIGHT TO REVISE PART/DRAWING WITHOUT NOTICE.

		UNLESS OTHERWISE SPECIFIED:		NAME	DATE	 <p>TITLE: <b>LARGE FLANGE OPEN END</b></p>			
		DIMENSIONS ARE IN INCHES TOLERANCES: ANGULAR: MACH ± 1 BEND ± 1 TWO PLACE DECIMAL ± .01 THREE PLACE DECIMAL ± .002		DRAWN	TWR			4/21/09	
		INTERPRET GEOMETRIC TOLERANCING PER: ASME Y14.5M-1994		CHECKED					
		MATERIAL		ENG APPR.	JVK			4/21/09	
		302/303 STAINLESS		MFG APPR.					
		FINISH		Q.A.	JVK	4/21/09	SIZE DWG. NO.	REV	
NEXT ASSY		USED ON		COMMENTS:		<b>A</b>	CAL1-3118-150	A	
APPLICATION		DO NOT SCALE DRAWING		E-mail: info@sherex.com www.sherex.com Phone: 866-474-3739 Fax: 716-875-0358		SCALE: 2:1		WEIGHT: .0102 kg	SHEET 1 OF 1