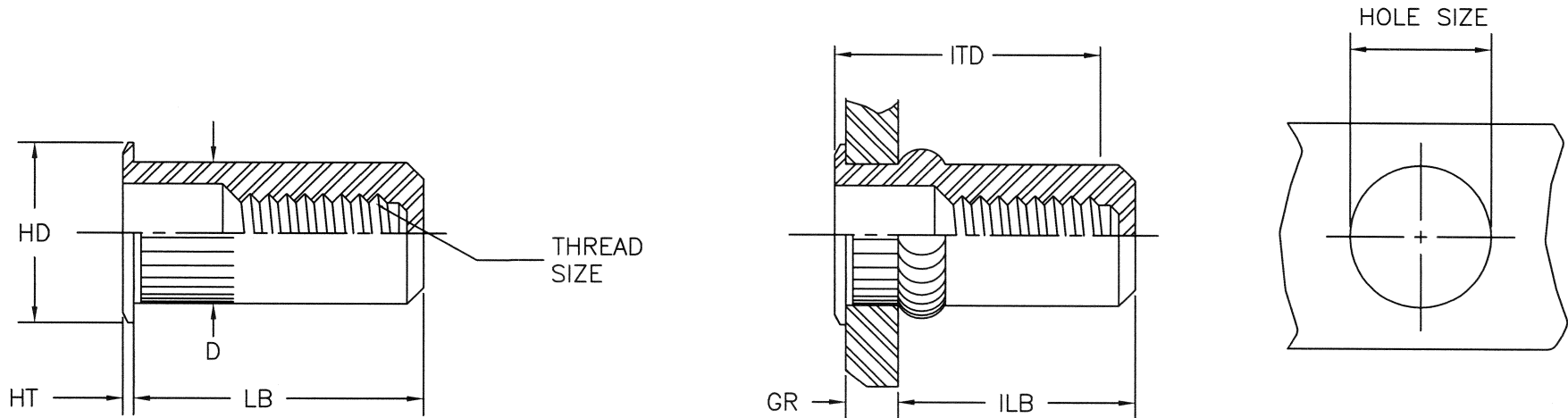


Unified Thread (Unit - Inches)

| Part Number (steel) | Thread Size | Grip Range | | HD | HT | D | LB | ILB | ITD | HOLE SIZE +.006/- .000 |
|------------------------|-------------|------------|------|-------|-------|------|-------|-------|------|---------------------------|
| | | Min. | Max. | ±.025 | ±.002 | Max. | ±.015 | Max. | Ref. | |
| CAL2-3118-150B | 5/16-18 UNC | .027 | .150 | .685 | .035 | .530 | 1.390 | 1.175 | .995 | .531 |



| | |
|---|---|
| CAL Specifications | Part Number Description |
| Material: Steel 1008/1010 Stainless Steel 302 Aluminum 5056 | CAL2-3118-150B |
| Finish: Zinc Plated-Yellow Dichromate per ASTM B633 Fe/Zn 8, Type II | CAL Product Style 2 Large Flange Material 1-Stainless Steel Knurled Body 2-Steel Thin Wall Series 3-Aluminum |
| | 3118 Thread Size |
| | 150 Grip Range |
| | (B) Empty-Open End B-Closed End |

THIS DRAWING, AND THE INFORMATION CONTAINED HERIN, ARE THE PROPERTY OF SHEREX FASTENING SOLUTIONS AND ARE NOT TO BE USED IN ANY MANNER DETRIMENTAL TO THE INTEREST OF THE COMPANY.

NOTE: SHEREX RESERVES THE RIGHT TO REVISE PART/DRAWING WITHOUT NOTICE.

SHEREX FASTENING SOLUTIONS
1400 COMMERCE PKWY.
LANCASTER, NY 14086 USA



| | | | | | | | | |
|------------|--------------------|------------|-------------|---------------------------|-------------------------|--|--------------------------------------|--|
| | | | | DRAWN BY: TOO | DATE: 5/23/05 | SCALE: 1:1 | TITLE: CAL STYLE RIVET NUT | DRAWING NO. CAL2-3118-150B |
| | | | | CHECK'D BY: TOO | DATE: 5/23/05 | E-mail: info@sherex.com www.sherex.com | | |
| REV | DESCRIPTION | ECN | DATE | APPR'D BY: AJP | DATE: 5/23/05 | Phone: 866-474-3739 Fax: 716-681-0270 | | |