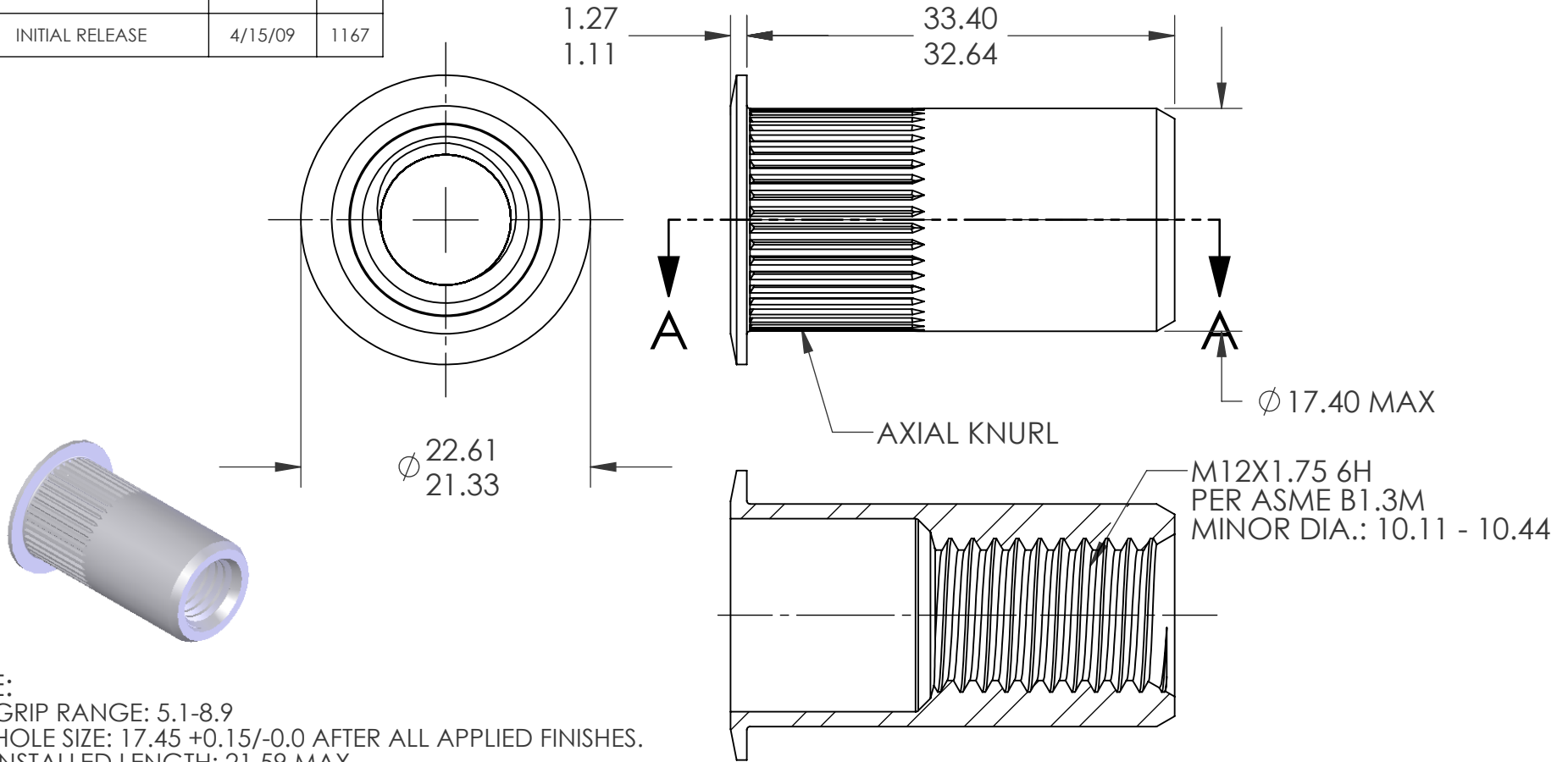


| REVISIONS | | | |
|-----------|-----------------|---------|------|
| REV. | DESCRIPTION | DATE | ECN |
| A | INITIAL RELEASE | 4/15/09 | 1167 |



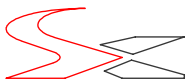
NOTE:

- GRIP RANGE: 5.1-8.9
- HOLE SIZE: 17.45 +0.15/-0.0 AFTER ALL APPLIED FINISHES.
- INSTALLED LENGTH: 21.59 MAX.
- LUBRICATION: WAX
- INSTALLATION TOOL: SSG 808 SPIN SPIN

SECTION A-A

PROPRIETARY AND CONFIDENTIAL
 THIS DRAWING, AND THE INFORMATION CONTAINED HEREIN, ARE THE PROPERTY OF SHEREX AND ARE NOT TO BE USED IN ANY MANNER DETRIMENTAL TO THE INTEREST OF THE COMPANY.
 SHEREX SOLUTIONS RESERVES THE RIGHT TO REVISE PART/DRAWING WITHOUT NOTICE.

| | | | | |
|-----------|---------|--|-------------------------|-------------|
| | | UNLESS OTHERWISE SPECIFIED: | NAME | DATE |
| | | DIMENSIONS ARE IN MILLIMETERS TOLERANCES: ANGULAR: MACH ± 1 BEND ± 1 ONE PLACE DECIMAL ± 0.10 TWO PLACE DECIMAL ± 0.05 | DRAWN | TWR 4/15/09 |
| | | INTERPRET GEOMETRIC TOLERANCING PER: ASME Y14.5M-1994 | CHECKED | |
| | | MATERIAL | ENG APPR. | JVK 4/15/09 |
| | | A5056 | MFG APPR. | |
| | | FINISH | Q.A. | JVK 4/15/09 |
| | | NONE | COMMENTS: | |
| NEXT ASSY | USED ON | | E-mail: info@sherex.com | |
| | | | www.sherex.com | |
| | | | Phone: 866-474-3739 | |
| | | | Fax: 716-875-0358 | |
| | | DO NOT SCALE DRAWING | | |



TITLE:
 LARGE FLANGE OPEN END

| | |
|-------------------------|-----|
| SIZE DWG. NO. | REV |
| A CAL3-12175-8.9 | A |

SCALE: 2:1 WEIGHT: kg SHEET 1 OF 1