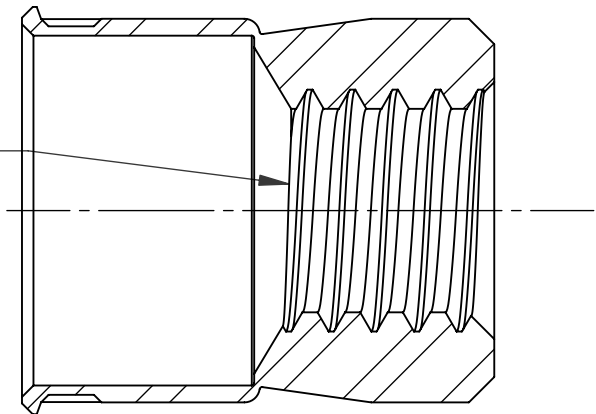


5/16-18 UNC "OVER SIZE"
NON-GAUGEABLE THREAD

SECTION A-A




NOTE:

1. GRIP RANGE: .030 MIN.
2. HOLE SIZE:
 1. .030 - .090 MT'L THICK.: .5000 AFTER ALL APPLIED FINISHES.
 2. .091 - .124 MT'L THICK.: .5000 AFTER ALL APPLIED FINISHES.
 3. .125 - .186 MT'L THICK.: .5156 AFTER ALL APPLIED FINISHES.
 4. .187 - OVER MT'L THICK.: .5156 AFTER ALL APPLIED FINISHES.
3. INSTALLED LENGTH: N/A
4. LUBRICATION: NONE
5. INSTALLATION TOOL: SSG 803 SPIN SPIN

PROPRIETARY AND CONFIDENTIAL
THIS DRAWING, AND THE INFORMATION CONTAINED HEREIN, ARE THE PROPERTY OF SHEREX AND ARE NOT TO BE USED IN ANY MANNER DETRIMENTAL TO THE INTEREST OF THE COMPANY.
SHEREX SOLUTIONS RESERVES THE RIGHT TO REVISE PART/DRAWING WITHOUT NOTICE.

		UNLESS OTHERWISE SPECIFIED:		NAME	DATE
		DIMENSIONS ARE IN INCHES TOLERANCES: ANGULAR: MACH ± 1 BEND ± 1 TWO PLACE DECIMAL $\pm .01$ THREE PLACE DECIMAL $\pm .002$		DRAWN	JLA 8/11/03
		INTERPRET GEOMETRIC TOLERANCING PER: ASME Y14.5M-1994		CHECKED	
		MATERIAL		ENG APPR.	JLA 8/11/03
		12L14		MFG APPR.	AJP 8/11/03
		FINISH		Q.A.	
		CADMIUM PER QQ-P-416 TYPE I CLASS 3		COMMENTS:	
NEXT ASSY	USED ON	E-mail: info@sherex.com www.sherex.com Phone: 866-474-3739 Fax: 716-875-0358			
APPLICATION		DO NOT SCALE DRAWING			



TITLE:
SMALL FLANGE SWAGING

SIZE DWG. NO.	REV
A CAT2-3118	A

SCALE: 2:1 WEIGHT: .0059 kg SHEET 1 OF 1