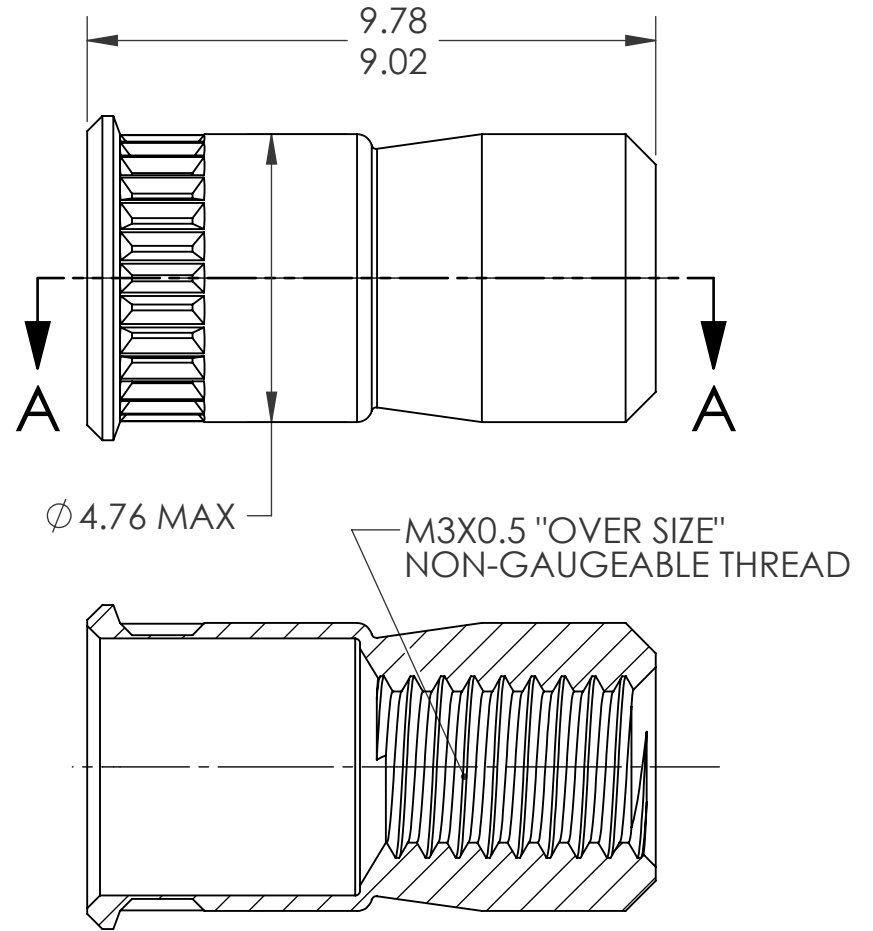
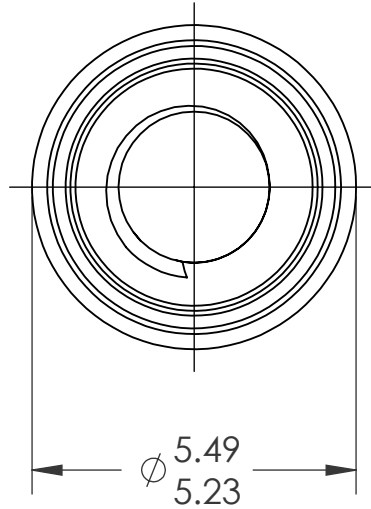
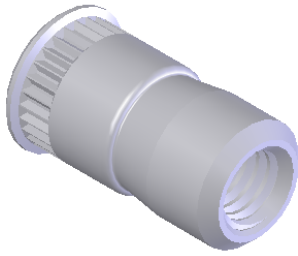


REVISIONS			
REV.	DESCRIPTION	DATE	ECN
A	INITIAL RELEASE	5/18/09	1184



SECTION A-A

NOTE:

- GRIP RANGE: 0.76 MIN.
- HOLE SIZE:
 - 0.76 - 2.29 MT'L THICK.: 4.77 AFTER ALL APPLIED FINISHES.
 - 2.31 - 3.15 MT'L THICK.: 4.90 AFTER ALL APPLIED FINISHES.
 - 3.17 - 4.72 MT'L THICK.: 4.90 AFTER ALL APPLIED FINISHES.
 - 4.72 - OVER MT'L THICK.: 4.97 AFTER ALL APPLIED FINISHES.
- INSTALLED LENGTH: N/A
- LUBRICATION: NONE
- INSTALLATION TOOL: SSG 801 SPIN SPIN

PROPRIETARY AND CONFIDENTIAL

THIS DRAWING, AND THE INFORMATION CONTAINED HEREIN, ARE THE PROPERTY OF SHEREX AND ARE NOT TO BE USED IN ANY MANNER DETRIMENTAL TO THE INTEREST OF THE COMPANY.
SHEREX SOLUTIONS RESERVES THE RIGHT TO REVISE PART/DRAWING WITHOUT NOTICE.

		UNLESS OTHERWISE SPECIFIED:		NAME	DATE			
		DIMENSIONS ARE IN MILLIMETERS TOLERANCES: ANGULAR: MACH ± 1 BEND ± 1 ONE PLACE DECIMAL ± 0.10 TWO PLACE DECIMAL ± 0.05	DRAWN	TWR	5/18/09			
		INTERPRET GEOMETRIC TOLERANCING PER: ASME Y14.5M-1994	CHECKED					
		MATERIAL	ENG APPR.	JVK	5/18/09			
		6061-T6 ALUMINUM	MFG APPR.					
		FINISH	Q.A.	JVK	5/18/09	TITLE:		
		TIN ALLOY PER ASTM B545	COMMENTS:			CADMIUM FREE SMALL FLANGE SWAGING		
NEXT ASSY	USED ON		E-mail: info@sherex.com www.sherex.com Phone: 866-474-3739 Fax: 716-875-0358				SIZE DWG. NO.	
	APPLICATION	DO NOT SCALE DRAWING				A	CFT3-350	REV
								A
						SCALE: 2:1	WEIGHT: kg	SHEET 1 OF 1