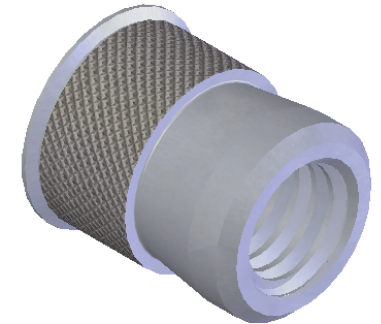


SECTION A-A




**NOTE:**

1. GRIP RANGE: 1.57 MIN.
2. HOLE SIZE: 7.54 + 0.13/-0.0 AFTER ALL APPLIED FINISHES.
3. INSTALLED LENGTH: N/A
4. LUBRICATION: NONE
5. INSTALLATION TOOL: SSG 802 SPIN SPIN

**PROPRIETARY AND CONFIDENTIAL**  
 THIS DRAWING, AND THE INFORMATION CONTAINED HEREIN, ARE THE PROPERTY OF SHEREX AND ARE NOT TO BE USED IN ANY MANNER DETRIMENTAL TO THE INTEREST OF THE COMPANY.  
 SHEREX SOLUTIONS RESERVES THE RIGHT TO REVISE PART/DRAWING WITHOUT NOTICE.

		UNLESS OTHERWISE SPECIFIED:		NAME	DATE
		DIMENSIONS ARE IN MILLIMETERS TOLERANCES: ANGULAR: MACH ± 1 BEND ± 1 ONE PLACE DECIMAL ± 0.10 TWO PLACE DECIMAL ± 0.05	DRAWN	JLA	8/11/03
		INTERPRET GEOMETRIC TOLERANCING PER: ASME Y14.5M-1994	CHECKED		
		MATERIAL	ENG APPR.	JLA	8/11/03
		12L14	MFG APPR.	AJP	8/11/03
		FINISH	Q.A.		
		TIN ALLOY PER ASTM B545	COMMENTS:	E-mail: info@sherex.com www.sherex.com Phone: 866-474-3739 Fax: 716-875-0358	
NEXT ASSY	USED ON				
APPLICATION		DO NOT SCALE DRAWING			

		
<b>TITLE:</b> <b>CADMIUM FREE          KNURLED BODY SWAGING</b>		
SIZE DWG. NO.	REV	
<b>A</b> CFW2-580	<b>A</b>	
SCALE: 2:1	WEIGHT: .0013 kg	SHEET 1 OF 1