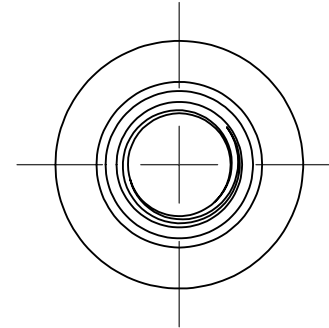
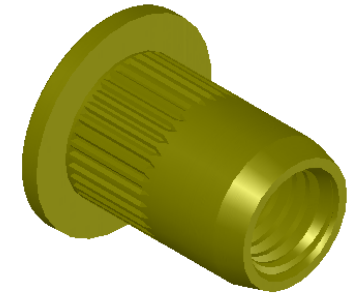


SECTION A-A



REVISIONS			
REV.	DESCRIPTION	DATE	ECN
A	INITIAL RELEASE	8/28/06	
B	UPDATED HD. & TOOLING, UPDATED FINISH TO SHEREX SPEC.	12/6/10	1374
C	NEW FINISH PER SFS-01-001, SC2	3/2/15	1787

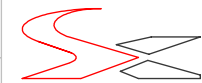


NOTE:

- GRIP RANGE: 0.5 - 3.0
- HOLE SIZE: 11.0 +0.1/-0.0 AFTER ALL APPLIED FINISHES.
- INSTALLED LENGTH: 11.0 REF.
- LUBRICATION: NONE
- INSTALLATION TOOL: SPIN PULL

PROPRIETARY AND CONFIDENTIAL
 THIS DRAWING, AND THE INFORMATION CONTAINED HEREIN, ARE THE PROPERTY OF SHEREX AND ARE NOT TO BE USED IN ANY MANNER DETRIMENTAL TO THE INTEREST OF THE COMPANY.
 SHEREX RESERVES THE RIGHT TO REVISE PART/DRAWING WITHOUT NOTICE.

		UNLESS OTHERWISE SPECIFIED: DIMENSIONS ARE IN MILLIMETERS TOLERANCES: ANGULAR: MACH ±1 BEND ±1 TWO PLACE DECIMAL ±.10 THREE PLACE DECIMAL ±.05 INTERPRET GEOMETRIC TOLERANCING PER: ASME Y14.5M-1994 MATERIAL C1008/C1010 FINISH ZINC PLATE W/YELLOW TRIVALENT CHROMATE PER SFS-01-001, SC2		NAME TOO	DATE 8/28/06
			DRAWN	TOO	8/28/06
			CHECKED		
			ENG APPR.	TOO	8/28/06
			MFG APPR.	AJP	8/28/06
			Q.A.		
			COMMENTS: E-mail: info@sherex.com www.sherex.com Phone: 866-474-3739 Fax: 716-875-0358		
NEXT ASSY	USED ON				
APPLICATION		DO NOT SCALE DRAWING			



TITLE:
LARGE FLANGE KNURLED BODY

SIZE A	DWG. NO. CLM2-8125-3.0	REV C
------------------	---------------------------	----------

SCALE: 2:1 WEIGHT: .0053 kg SHEET 1 OF 1