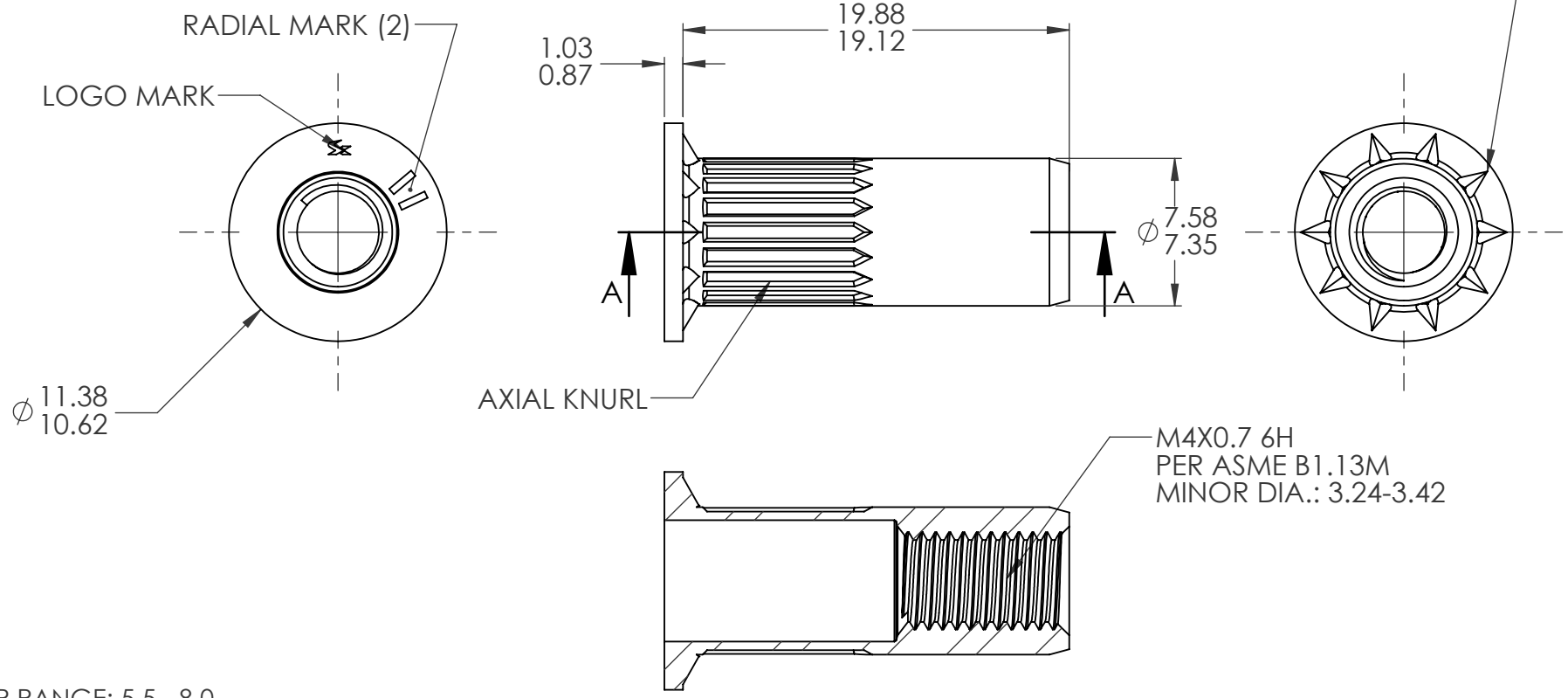



REVISIONS				
REV.	DESCRIPTION	DATE	ECN	INITIAL
A	INITIAL RELEASE	10/7/2020	3692	TDJ



- NOTE:**
- GRIP RANGE: 5.5 - 8.0
 - HOLE SIZE: 7.60 +0.15-0.00 AFTER ALL APPLIED FINISHES.
 - INSTALLED LENGTH: 10.5 MAX.
 - LUBRICATION: NONE
 - INSTALLATION TOOL: SPIN PULL

SECTION A-A

CUSTOMER APPROVAL:				UNLESS OTHERWISE SPECIFIED:				NAME		DATE					
DATE:				DIMENSIONS ARE IN MILLIMETERS TOLERANCES: ANGULAR: MACH ± 1 BEND ± 1 ONE PLACE DECIMAL ± 0.3 TWO PLACE DECIMAL ± 0.08		DRAWN		TDJ		10/7/2020			TITLE: M4 OPEN END LARGE FLANGE OPTISERT		
				INTERPRET GEOMETRIC TOLERANCING PER: ASME Y14.5M-1994		CHECKED		CL		10/7/2020				SIZE DWG. NO. A OPT2-470-8.0	REV A
				MATERIAL C1008/C1010		ENG APPR.		JVK		10/7/2020		SCALE: 3:1			
		NEXT ASSY		USED ON		MFG APPR.		Q.A.		COMMENTS: E-mail: info@sherex.com www.sherex.com Phone: 866-474-3739 Fax: 716-875-0358					
		APPLICATION		DO NOT SCALE DRAWING											

PROPRIETARY AND CONFIDENTIAL

THIS DRAWING, AND THE INFORMATION CONTAINED HEREIN, ARE THE PROPERTY OF SHEREX AND ARE NOT TO BE USED IN ANY MANNER DETRIMENTAL TO THE INTEREST OF THE COMPANY.

SHEREX SOLUTIONS RESERVES THE RIGHT TO REVISE PART/DRAWING WITHOUT NOTICE.

UNLESS OTHERWISE SPECIFIED, ALL SPECIFICATIONS REFERENCED ON THIS DRAWING WILL PERTAIN TO THE MOST RECENT AND ACTIVE REVISION.