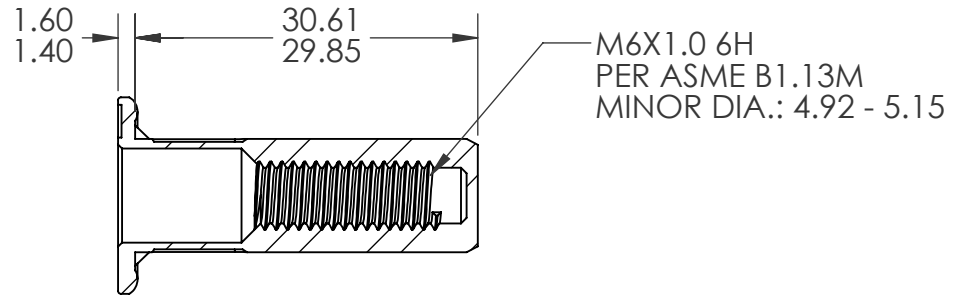
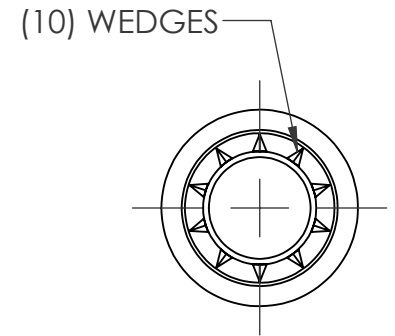
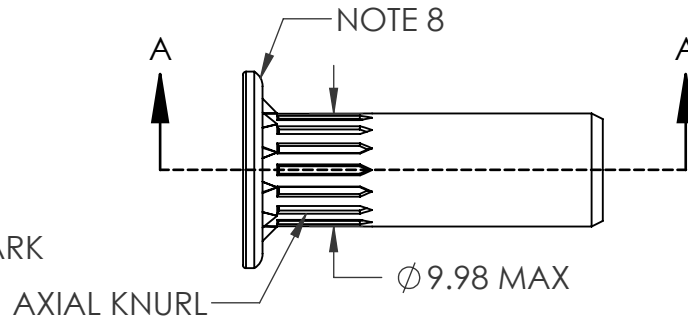
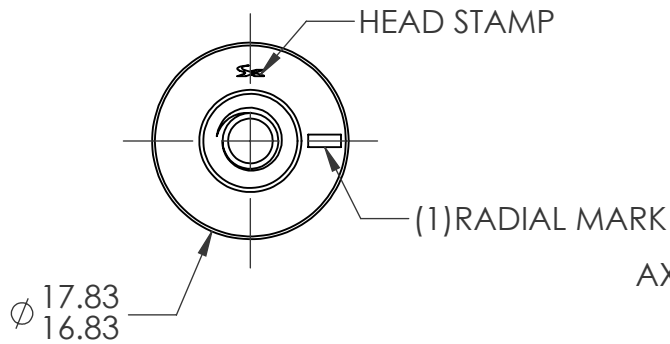


REVISIONS				
REV.	DESCRIPTION	DATE	ECN	INITIALS
A	INITIAL RELEASE	02/08/2023	4193	MRA



SECTION A-A  
SCALE 1.5 : 1


NOTE:

- GRIP RANGE: 3.5 - 6.0
- HOLE SIZE: 10.00 +0.15/-0.00 AFTER ALL APPLIED FINISHES.
- INSTALLED LENGTH: 22.75 MAX
- INSTALLED THREAD DEPTH: 19.0 MIN IN MIN GRIP
- LUBRICATION: NONE
- INSTALLATION TOOL: SPIN-PULL
- THREAD MEET CLASS 8 PROOF LOAD: 17.2kN PER ISO 898-2
- DEPOSIT PLASTISOL ALONG OUTER GROOVE OF THE HEAD.

**PROPRIETARY AND CONFIDENTIAL**

THIS DRAWING, AND THE INFORMATION CONTAINED HEREIN, ARE THE PROPERTY OF SHEREX AND ARE NOT TO BE USED IN ANY MANNER DETRIMENTAL TO THE INTEREST OF THE COMPANY.  
SHEREX SOLUTIONS RESERVES THE RIGHT TO REVISE PART/DRAWING WITHOUT NOTICE.

		UNLESS OTHERWISE SPECIFIED:	NAME	DATE
		DIMENSIONS ARE IN MILLIMETERS TOLERANCES: ANGULAR: MACH ± 1 BEND ± 1 ONE PLACE DECIMAL ± 0.3 TWO PLACE DECIMAL ± 0.08	DRAWN	MRA 2/8/23
		INTERPRET GEOMETRIC TOLERANCING PER: ASME Y14.5M-1994	CHECKED	
		MATERIAL	ENG APPR.	JVK 2/8/23
		C1008/C1010 STEEL	MFG APPR.	
		FINISH	Q.A.	
		ZINC PLATE CLEAR TRIVALENT CHROMATE PER SFS-01-001; SC1	COMMENTS:	
NEXT ASSY	USED ON		E-mail: info@sherex.com	
			www.sherex.com	
			Phone: 866-474-3739	
			Fax: 716-875-0358	
	APPLICATION	DO NOT SCALE DRAWING		

		
TITLE:		
M6 CLOSED END LARGE FLANGE OPTISERT		
SIZE DWG. NO.	REV	
<b>A</b> OPT2-610-6.0BS	A	
SCALE: 3:2	WEIGHT:	SHEET 1 OF 1